

Stabilimento / Plant  
Via Bicocca, 14/C  
40026 Imola (BO) - Italy  
Tel. +39 0542 653441  
Fax +39 0542 653601

castellini@castellini.com

Sede Legale ed Amministrativa / Headquarters  
CEFLA s.c. - Via Selice Prov.le, 23/a  
40026 Imola (BO) - Italy  
Tel. +39 0542 653111  
Fax +39 0542 653344

www.castellini.com



According to the regulations in force, some products and/or features may have different availability and characteristics in areas outside of the European Union. Please contact your local distributor.  
Due to our policy of constant technological upgrading, the technical specifications may be subject to change without prior notice.

09/2017

CSK6GB171500



SKEMA<sub>6</sub>

Technology to innovate





Practical technological innovation that's always within arm's reach

Skema 6



Tip-top performance and cutting-edge instruments

Skema 6 CP



Freedom of operation and ergonomic flexibility

Skema 6 Cart

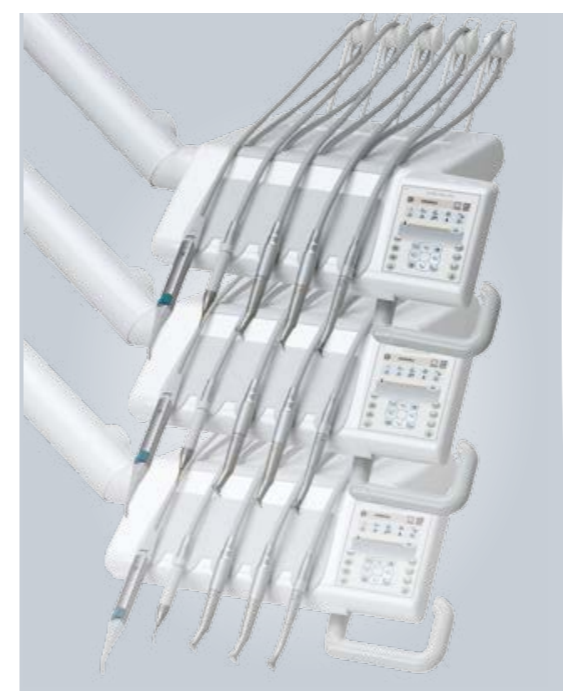




### Dentist's module

- to reposition instruments, it is enough to lightly touch the capacitive sensor inside the handle, move the module and release the handle to activate locking in the required module position
- the tube extension capacity and minimized instrument support arm height enhance the module positioning range without any risk of interference with the operating light
- optional end-of-stroke lock system for enhanced freedom of movement
- easy to handle, self-balanced instruments minimising operator wrist fatigue during use
- the tray holder, pivoting on an articulated arm, can be adjusted to any working position
- the large trans-thoracic tray holder can easily be reached by both the dentist and the assistant
- the dentist's module's extensive vertical travel facilitates suitable positioning to meet any working requirements

### Dentist's side



### A touch of precision

The Skema 6 work range is enhanced in both versions by its extensive-travel arms, allowing the operating ergonomics to adjust to each clinical situation in the most efficient way. By lightly touching the capacitive sensor inside the handle, the arm locking pneumatic brake can be de-activated and the module can be positioned in a quick, safe and accurate manner. The excellent manoeuvrability of all dental unit elements helps maintain a correct, natural posture at any time, minimizing the risk of physical stress and fatigue during the day.

### Natural gestures

On the specifically designed hanging tubes module, the instruments are arranged in a functional manner to facilitate comfortable, easy pick-up and intuitive replacing. As a result, work flow is fast and smooth. The instruments on the hanging tubes module will remain outside the patient's field of vision for a more relaxed and peaceful patient approach.



### Smart Touch

The Smart Touch panel features a large touch-screen display (4.3") that allows effortless, trouble-free control of all the dynamic instruments and hygiene systems integrated on the dental unit.

Whatever the treatment scenario, the Smart Touch panel ensures dentists are able to make the very most of the exceptional instrument performance.

Patient chair movements and saved position recalls, instead, are controlled via a more traditional keypad located close to the display.

### Full Touch (optional)

The new Full Touch instrument control panel, based on a Linux platform and run by a powerful latest-generation microprocessor, provides an advanced interface with a tempered glass, easy-to-sanitise touch-screen display (5.7") that is both impact and scratch-resistant. A special key temporarily deactivates the panel's touch-screen functions so surfaces can be cleaned.

Integrated system and dynamic instrument parameters can be managed and personalised at the touch of a finger thanks to user-friendly interface browsing.

Moreover, the instrument panel also features a USB port, which can be used by dentists to load X-ray images and view them in full-screen mode. Another advantage of the USB port is that it lets dentists store their personalised settings on a memory stick.

## Control panel



User-friendly controls give dentists the full benefit of the excellent performance provided by Castellini's latest generation of integrated devices and instruments.

Skema 6 offers the dentist a choice between two types of instrument control panel: the Smart Touch, which combines a touch-sensitive screen with traditional keypad for control of patient chair movement, is provided as standard, the Full Touch, available as an optional, features a tempered glass display and lets the dentist control the dental unit and its

systems via a cutting edge touch-screen interface.

Whatever the treatment being carried out, from conservative dentistry to oral surgery, these new touch-screen control panels allow the working parameters of each individual instrument to be set and saved at the touch of a finger. Thanks to the advanced technology used on these interfaces, the LED Implantor micromotor expresses its full all-round potential and so allow the dental surgery to expand its range of clinical treatment.

### Precision and personalisation

The information provided by the touch-screens is extremely precise and can also be personalised.

A special key lets dentists toggle between the display of basic information or more in-depth operating parameters for comprehensive personalisation of dynamic instruments and integrated hygiene system devices.



### Surgical function

Skema 6 offers the perfect implantology configuration: Implantor LED induction micromotor, peristaltic pump integrated on the dentist's module and a cutting-edge control panel. Designed to smooth interaction with devices during treatment, the control panels let dentists personalise and save all parameters such as speed, torque and peristaltic pump delivery rate quickly and easily, leaving them free to focus on the task at hand and the patient's wellbeing. The control panel also allows equally efficient, simple management of the micromotor Endo mode: once again, all the settings (including the Normal, Reverse and Autoreverse functions) can be set and saved immediately.

### From conservative dentistry to oral surgery

Skema 6 is equipped with a comprehensive range of instruments at the cutting edge of technological development, suitable for any specialist dentistry applications. These multifunctional, highly practical instruments are designed to brilliantly and safely meet the requirements of not just conservative, but also prosthetic and endodontic dentistry, implantology and any other surgical applications. Skema 6 is also able to include reciprocating mode movement in its micromotor to allow use of the special files. Where a Full Touch control panel is present, the endodontic files, reciprocating systems included, can be selected directly from the pre-loaded database.

## High quality diagnostic imaging



X-rays obtained with a digital sensor can be displayed quickly and simply, directly on the Full Touch control panel.

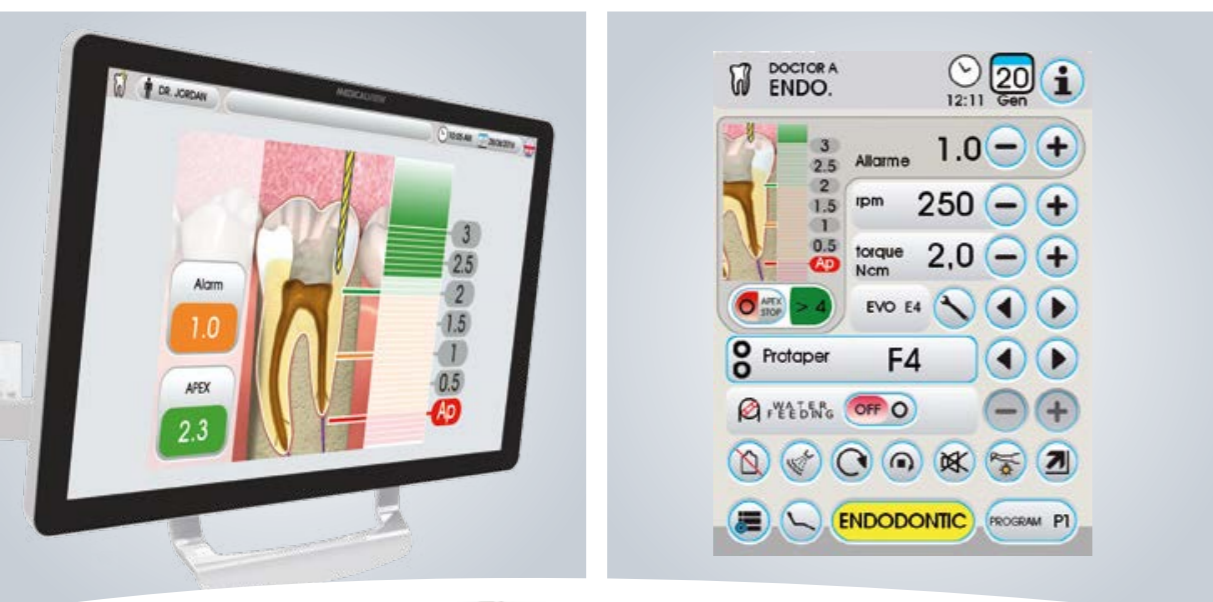
The display provides users with high quality diagnostic images and, thanks to advanced Skema 6 electronics, dentists can correct brightness, adjust contrast and size and set up an X-ray folder in the patient's medical records by saving images on the control panel itself or on an external drive via a USB port.

The new integrated X-ray sensor is IP67 certified. Available in two sizes and with a latest-generation CMOS receptor, it comes with a USB connection for greater versatility in the surgery.

### Constant parameter control

Every time an instrument is extracted, the touch-screen display shows only the information relevant to the clinical needs of the moment: all working parameters can be set and modified with ease at the touch of a finger. Everything, from spray mode to turbine speed and micromotor torque, can be controlled via the touch-screen, as can the duration of disinfection cycles and selection of certified contra-angles, the parameters of which are immediately recognised by the dental unit. Dentists can also save the most frequently used settings. The touch-screen displays also let dentists make all those clinical settings necessary for safe utilisation of the innovative ultrasound surgery handpiece integrated on the dentist's module (where applicable).





## LAEC

Integrated in the dentist's module, the Castellini Electronic Apex Locator device offers maximum efficiency and clinical safety in endodontic treatments. With dedicated contra angle, positioning of the file during root canal treatment is shown on the display and, where the multimedia system is used, also on the dental unit monitor. When the apex distance threshold programmed by the operator is reached, the LAEC will emit a warning tone. A large screen ensures that the procedure is displayed extremely clearly. (optional)



### Handy Power Micromotor

Handy Power is an extremely lightweight, compact brushless micromotor, available with or without LED lighting. Exceptionally quiet and vibration-free, Handy Power requires virtually no maintenance and is highly reliable thanks to brushless technology. Handy Power can be disinfected externally.

Micromotor features:

- 100 up to 40,000 rpm
- possibility of pre-setting maximum speed



### Implantor LED Micromotor

Latest-generation brushless micromotor, with its low-noise operation and minimal weight, Implantor LED is vibration-free and characterized by extremely high torque and outstanding reliability.

Top performance for all specialist applications. Completely autoclavable.

Micromotor features:

- 100 up to 40,000 rpm with 1:1 ratio
- electronic torque control up to 5.3 Ncm
- possibility of pre-setting maximum speed



### Piezosteril 6 / Piezolith 6

Versatile and multifunctional ultrasound handpieces suitable for prophylaxis, endodontics and periodontal procedures. Available with or without fibre optic for LED lighting, the handpieces offer the following performance:

- perfectly linear, controlled ultrasonic vibration (free from parasitic lateral vibration) with frequency constantly self-regulated according to load and tip condition

- extensive power adjustment range
- power is self-adjusting as a function of workload: this prevents heating of the handpiece or cooling liquids
- coolant delivery adjustable from zero to max flow rate
- completely autoclavable



### T-LED

Lightweight, compact curing light with an exclusive design that allows use as both a direct version or 120° angled version.

Features:

- high power LED up to a maximum of 2,200 mW/cm<sup>2</sup>
- 430 - 490 nm emission band
- 6 pre-set programmes
- autoclavable light guide



### Surgison 2

Ultrasound handpiece specially designed for oral surgery, implantology and osteotomy, available with an extensive range of special tips for any treatment requirements.

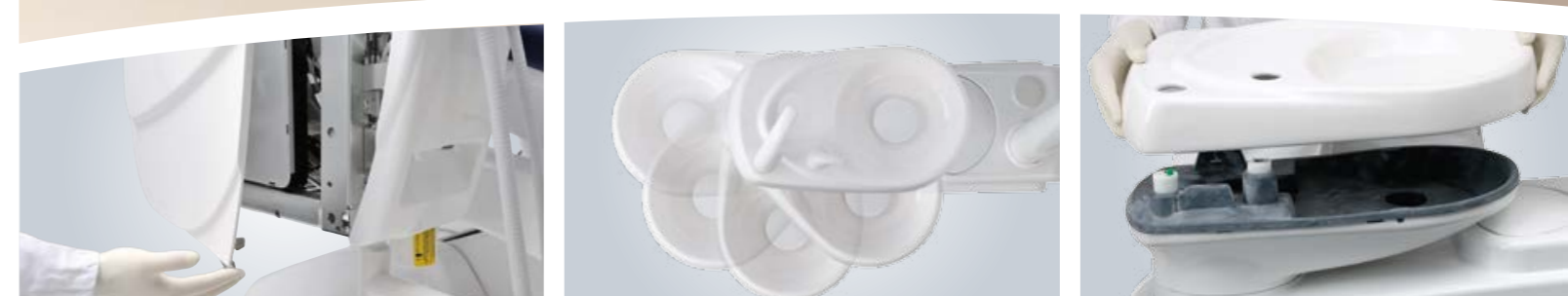
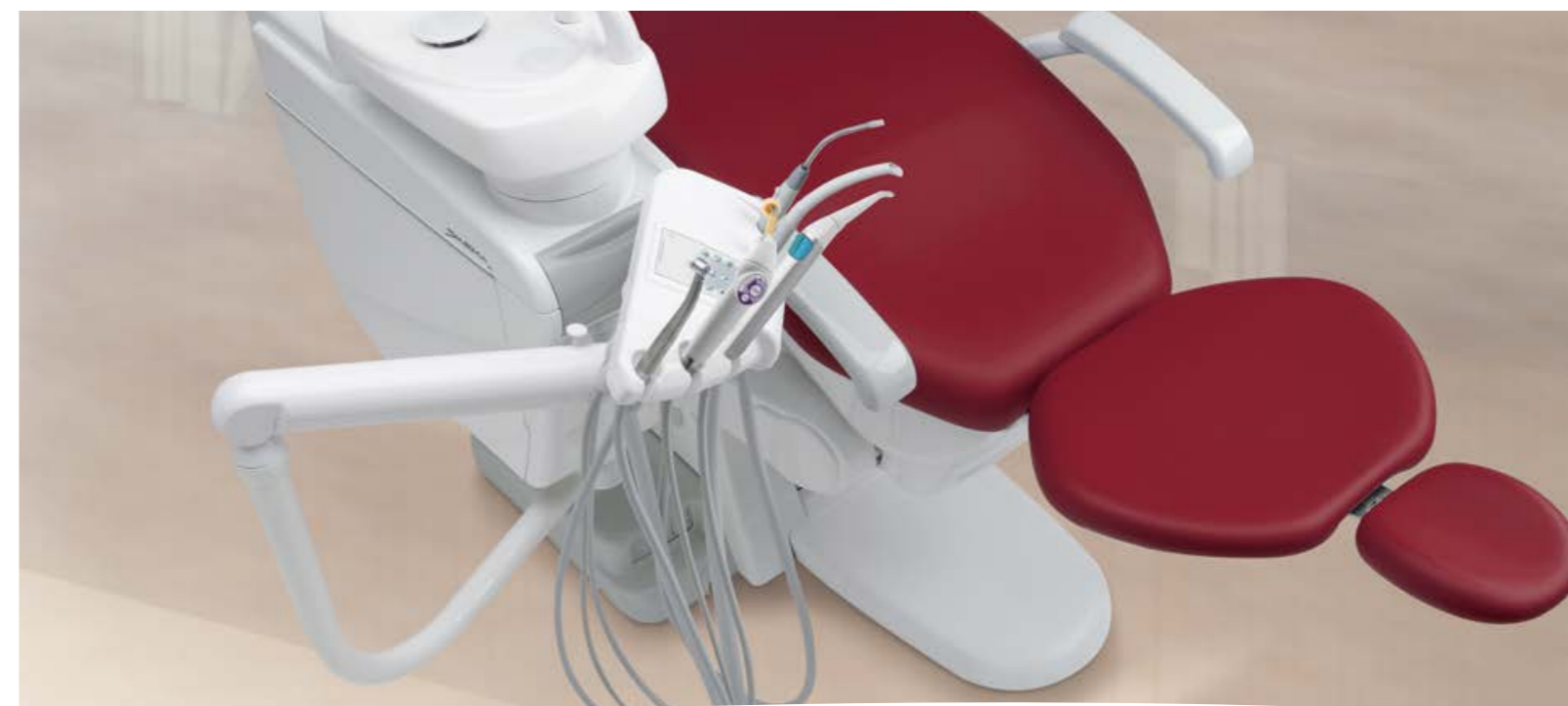
- directly interchangeable with the Piezolith 6 scaler, whereas instrument tubing has to be substituted for the Piezosteril 6 scaler. The Surgison 2 handpiece is always automatically detected and driven by the unit
- completely autoclavable
- the unit-integrated optional peristaltic pump ensures completely aseptic cooling by dedicated liquids (optional)



**Assistant's module**

- lightweight and handy, the suction cannulae are provided with roller housings
- easy and accurate vertical positioning of the module
- from the control panel, the patient chair movement, cup and bowl filling, operating light and Autosteril hygiene system activation can all be controlled
- the (optional) assistant's tray holder module is handily installed next to the assistant's module
- the cup and bowl filling units and the cuspidor bowl itself can be removed and disassembled to optimize hygiene procedures
- tray holder module available to replace the cuspidor bowl

Assistant's side

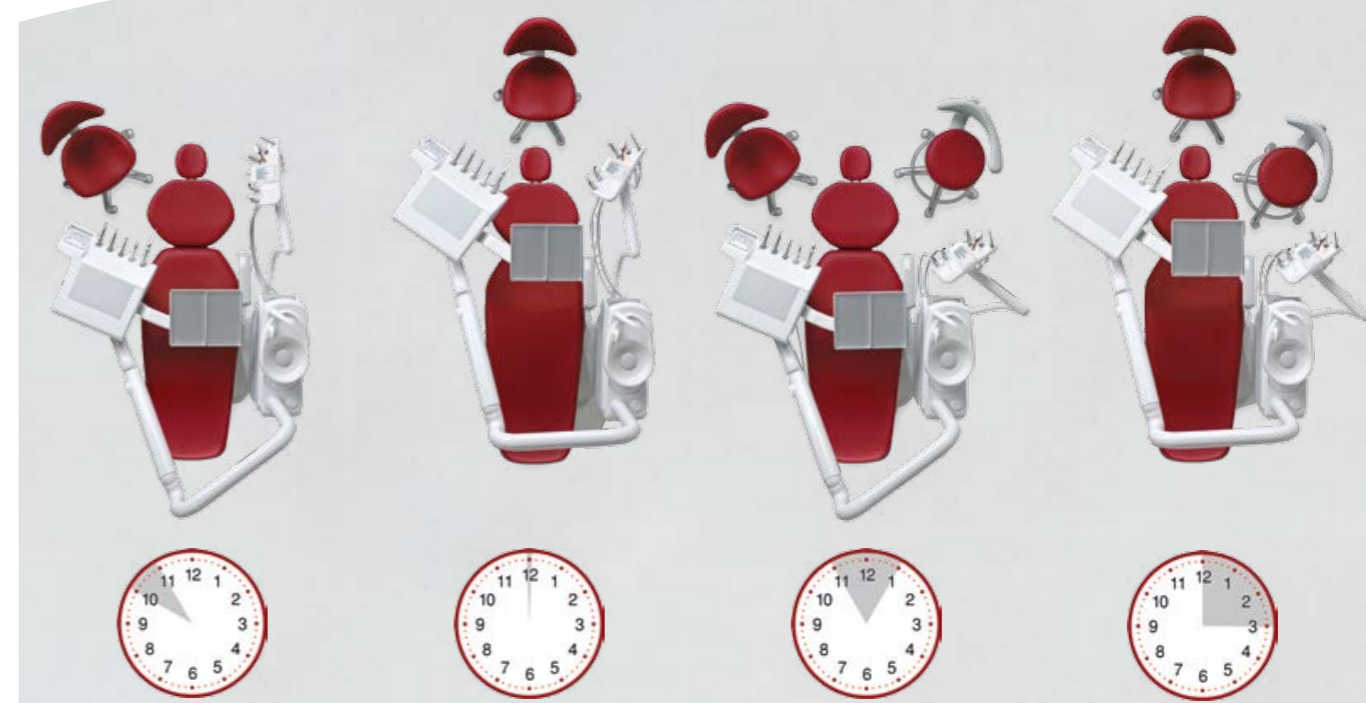
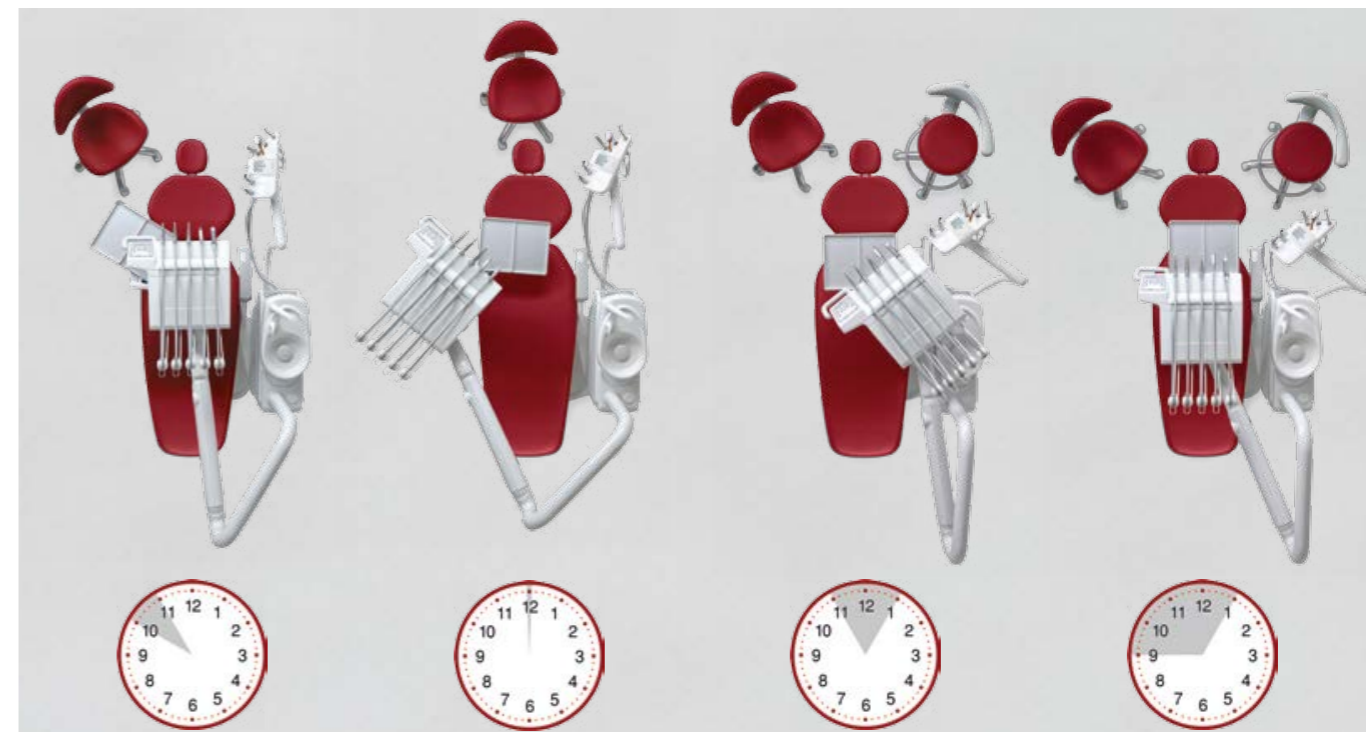
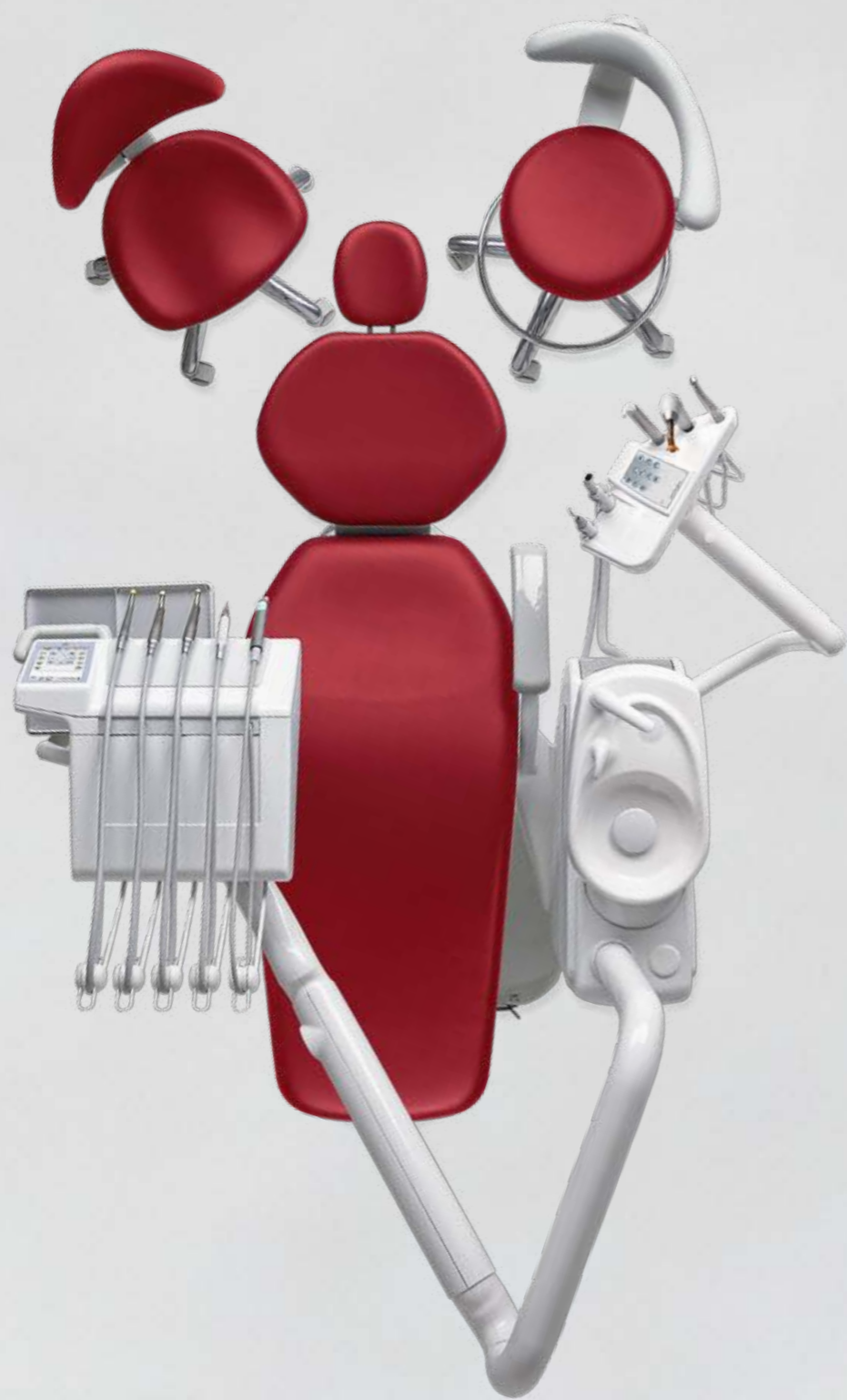


**Natural comfort**

The motor-driven ceramic cuspidor bowl rotates automatically reaching one of the pre-set positions and guaranteeing patient comfort during treatment. With its simple controls available on each instrument panel, the cuspidor bowl can then be returned to its stand-by position above the unit body.

**Multifunctional ergonomics**

The assistant's module on a dual articulated arm is height-adjustable and can be extended and folded to make more space available for the assistant whilst guaranteeing the greatest functionality in any (two- or four-handed) operating position. Five housings are available for the suction hoses and instruments.



Ergonomic solutions for every treatment need



### Headrest

The generous, double-jointed headrest provides comfort for all patients. Available as an option, the new pneumatic release orbital headrest pivots on three axes and allows quick, precise positioning of the patient's head. The pneumatic release allows the dentist to shift the headrest vertically along the support rods with ease.

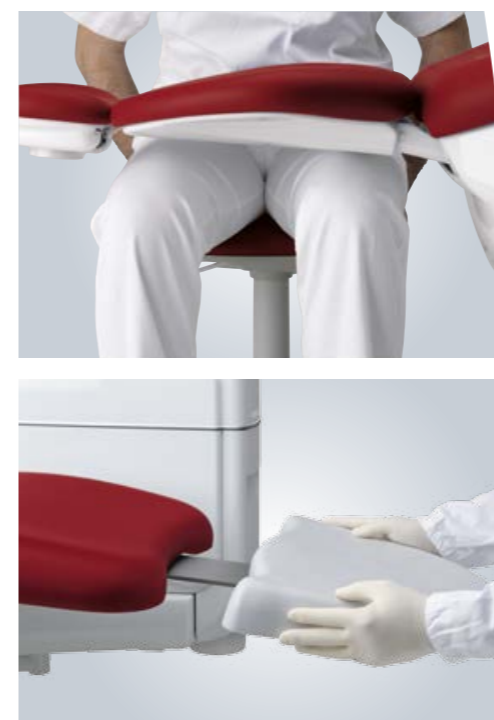
### Seats

The exclusive C9 anatomical seat is designed to provide a physiologically correct, healthy working position: broad vertical excursion, adjustable thigh support, vertically and horizontally adjustable backrest with compensation system for continuous lumbar support. Also available to the medical team are the comfortable yet practical C7 and C8 seats.

### Arm rests

The right-hand arm rest can be rotated forwards to facilitate patient access to the chair. Getting out of the chair is equally as easy. The left-hand arm rest can also rotate forwards, increasing the space available for the assistant if needed. The arm rests are optional features.

## The Patient Chair



### Design and materials

The thin backrest profile makes it easier for the dentist to work comfortably without any hindrance in the leg area, even with a lowered chair.

### Footrest

Adjustable footrest made from special anti-bacterial, anti-odour material. It can be extended for taller patients and removed for complete disinfection.

### Functional comfort

The patient chair has been designed to provide the best possible anatomical comfort to the patient. This helps to make the dental team's task much easier and, furthermore, one can count on specific features which allow perfectly hygienic conditions to be maintained at all times.

### Suction Stop

By pressing a foot control on the chair base, suction can be temporarily suspended.

### Surgical padding

Available as an optional feature, surgical padding will suit patients of any build ensuring proper anatomical support and maximum comfort at all times. Thanks to the characteristics of the material used, the contact surface area increases while the pressure applied to the patient's body is reduced. The surgical padding has been designed for patient relaxation especially during longer treatment sessions.



### Foot controls

The foot control range includes 6 models:

- ① Lateral slide Foot Control (wired/wireless)
- ② Pressure-operated Foot Control (wired/wireless)
- ③ Power Pedal Foot Control
- ④ Multifunction Foot Control

Being able to control multiple dental unit functions via the foot control demonstrates a conscientious approach to hygiene, one that has ensured the available foot-operated functions include:

- progressive instrument activation
- spray selection
- chip air/water activation
- patient chair direct/programmed movement control
- light on/off (available on multifunction foot control)
- freeze-frame camera

Both the lateral slide and the pressure-operated foot controls are available in the wireless version.

Because there are no wires the foot control can now be positioned as desired without creating any hindrance, allowing for more comfortable on-patient treatment.

Lithium batteries ensure that the unit can go more than two months between recharges, in any case it is supplied with a lead for fast connection to the dental unit so that recharging can also be carried out during work.

### Peripheral devices incorporated on the dental unit



### Venus LED

Operating lamp with long-lasting, low-consumption LED light source plus 3-axis rotation for perfect illumination of the operating area.

Technical features:

- maximum light intensity 50,000 Lux
- colour temperature: 5,000 K
- potentiometer to adjust light intensity
- No Touch sensor to switch on and adjust
- easy-to-clean hermetically sealed front protective screen
- handles can be cleaned in an autoclave

### Venus Plus

High performing operating light with rotation movement on three axes for accurate light adjustment to the oral cavity.

Technical features:

- colour temperature: 4,900 K
- adjustable light intensity from 8,000 to 35,000 Lux
- front protective screen
- removable handles suitable for cold-disinfection
- rear fan

*To see which devices, among the lamps and foot controls, are supplied as standard or as an optional, please refer to the table at the end of the catalogue.*



Real-time communication and diagnostics



### Integrated Medical Monitor

Choosing a double-jointed arm lets dentists shift the monitor and position it within the treatment area according to their individual needs (an option particularly recommended for the touch-screen version).

In addition to comfortable use for both dentist and assistant, it also ensures greater involvement of the patient when sharing the outcome of treatment via on-screen imagery.

### PC connection

The monitor comes ready for connection to a PC via a lead or HDMI connector. On both versions a USB port provides a further connectivity option.

## Multimedia System



### C-U2 HD camera

Featuring a system with 7 glass lenses and a 16:9 format HD sensor, the new incorporated video camera allows high definition images to be shown on the monitor directly without any distortion. Designed to give easy access to distal zones, the C-U2 is thin and has a partially retroflexed 90° viewing angle. The extensive depth of field (from 5 to 70 mm) ensures outstanding image sharpness while the touch-sensitive key activates the freeze-frame without causing any vibration.

Mounted on the dental unit operating light column, the 22" LED monitor with 16:9 format, Medical Device 93/42-certified, is an excellent high-tech, ergonomic, image-based communication and diagnostic tool. Thanks to the special IPS panel, ensuring a wide viewing angle, images can be clearly seen from any position. Low-power LED light sources provide excellent contrast and bright colours, making images decidedly sharper.







### Autosteril A

Where used together with Peroxy Ag+, the Autosteril system (optional) provides automatic high-level disinfection of the spray water circuits, ensuring a mycobactericide, bactericide and anti-Legionella action, certified by the Sapienza University of Rome.

It helps hygienisation at the end of a day's session and allows for short cycles to be carried out in the following steps:

- circuit draining with compressed air
- addition of 3% H<sub>2</sub>O<sub>2</sub> to the spray water circuits
- 'hold time' allowed for liquid to work to intensive disinfection results
- liquid draining with compressed air
- (mains or distilled) water flushing

### Active hygiene devices



- M.W.B.\*** - continuous disinfection system coupled to an air gap separation from mains water device in accordance with EN 1717
- 20 mm separation between mains water system and dental unit lines
- water titration with 0.06% H<sub>2</sub>O<sub>2</sub>

**Peristaltic pump\*** - in-built system, necessary for oral surgery and implantology work with the Castellini instruments available on the dental unit

- Implantor LED Micromotor and Surgison 2 ultrasound Handpiece irrigation with normal saline solution
- S.S.S.** - independent supply to instruments
- 1.8 litre capacity pressurised tank
- external tank to facilitate replacement at any time

- A.C.A.** - spray anti-retraction system
- prevents contaminant suction during the instrument stopping phase
- minimises any patient cross-contamination risk

**S.H.D.\*** - suction system hygiene procedure

- water flushing and hygienisation with a special liquid from a dedicated tank
- the duration of each cycle (approximately 1 minute) allows for hygienisation between patients

**H.P.A.\*** - pneumatic supply hygienic protection via a device equipped with an autoclavable filter element

- allows for surgical use of the instruments

**Time Flushing\*** - quick flushing of the dental unit body with mains water or separate supply water.

\*optional



**Hygiene products recommended by Castellini**

- Ster 1 Plus decontaminating detergent for surface applications
- Ster 3 Plus decontaminating detergent for surgical suction lines

**Protection against Legionnaire's disease**

Water quality can be safeguarded by adding Peroxy Ag+ disinfectant, this provides real-time defence against bacterial contamination (e.g. Legionnaire's disease and other bacteria) and also brings about the conditions that prohibit microbial colonisation and multiplication.

**Passive hygiene systems**

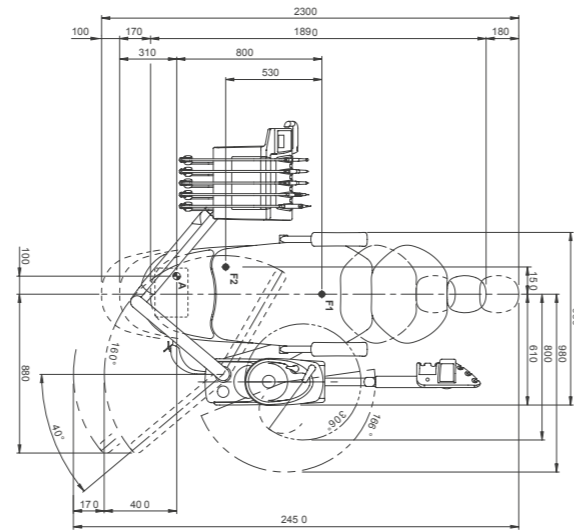
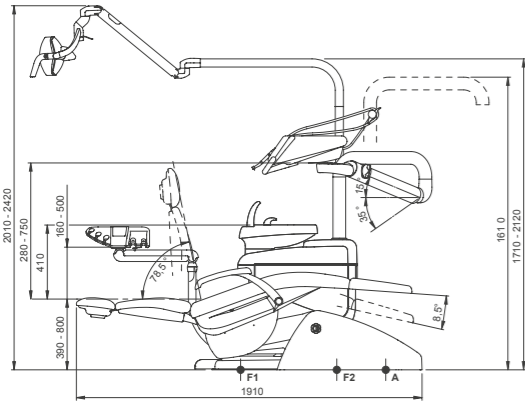


To maintain outstanding levels of hygiene on both the dental unit and in the workplace, Castellini has developed an advanced passive protection concept. Medical staff and patient alike can count on constant protection from numerous elements specifically designed to minimise any risk of contamination:

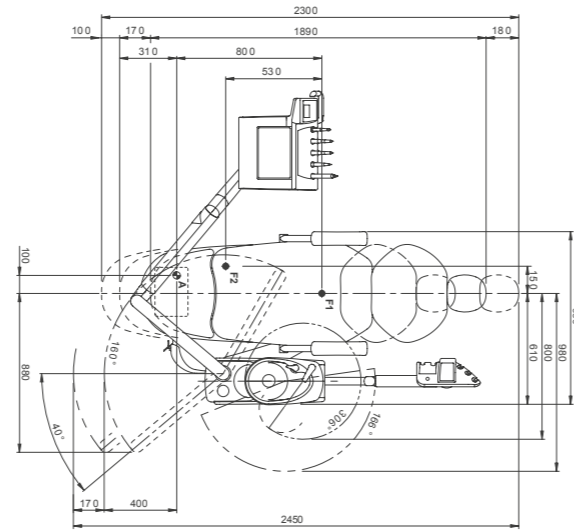
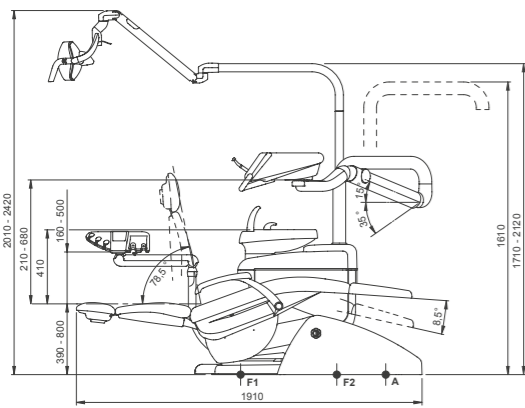
- removable autoclavable parts:
  - ceramic cuspidor bowl
  - cup-and-bowl-fill unit
  - silicone instrument support mat
  - cannulae holders

- scaler, Implantor LED micromotor and turbines are completely autoclavable
- syringe handle and tip are completely autoclavable
- removable, disinfected dentist's module grip
- curing light with autoclavable light guide
- washable and disinfected control panel with protective membrane
- removable, disinfected suction tubing and slide guide
- unit and chair surfaces can be washed and disinfected
- seamless patient chair upholstery with antibacterial treatment

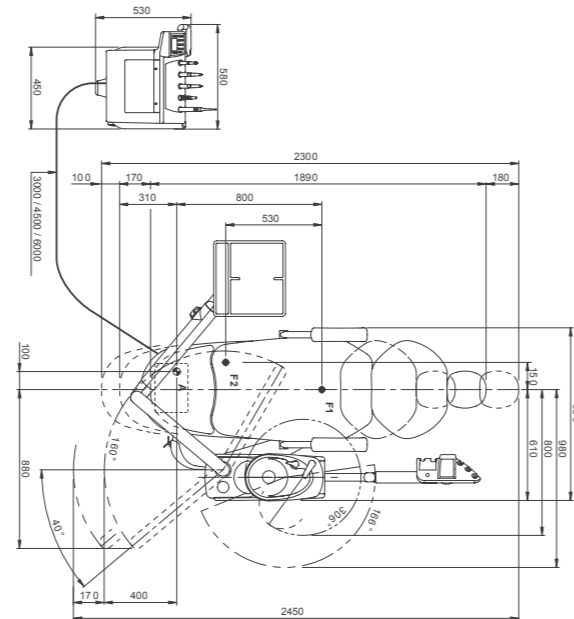
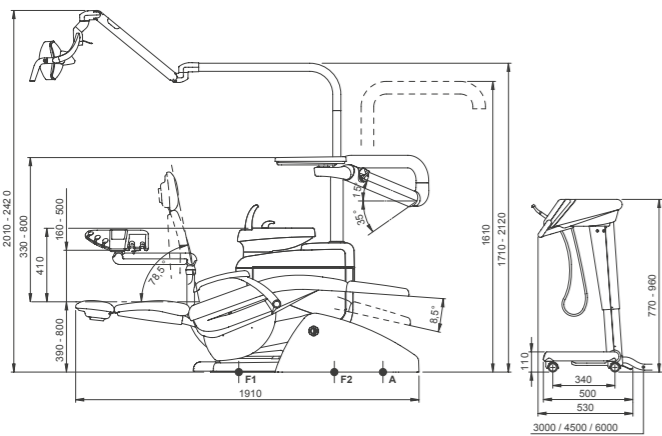
Skema 6



Skema 6 CP



Skema 6 Cart



	Over the patient delivery system	Hanging tubes	Cart
<b>Hygiene system</b>			
Separate Supply System	●	●	●
Autosteril A (Automatic) for disinfection of the water circuit	○	○	○
Multi Water Bio controller (EN 1717-compliant water infeed unit with continuous disinfection system)	○	○	○
Timed Flushing (quick wash cycle of the water circuit)	○	○	○
Suction Hoses Disinfection (wash and disinfection of suction system)	○	○	○
Kit peristaltic pump with saline solution irrigation set	○	○	○
Hi Protected Air (compressed air feed filter)	○	○	○
<b>Dentist's module</b>			
Kit turbine complete with Silent Power Evo 2L fibre optics handpiece	-	-	●
Kit turbine complete with Silent Power Evo 4L fibre optics, quick coupling handpiece	○	●	○
Kit turbine complete with Silent Power Evo Miniature fibre optics, quick coupling handpiece	○	○	○
Kit Micromotor Handy Power (100 - 40,000 RPM - 3,3 Ncm)	-	-	●
Kit Micromotor Handy Power LED fibre optics (100 - 40,000 RPM - 3,3 Ncm)	-	-	○
Kit Micromotor Implantor LED fibre optics (100 - 40,000 RPM - 5,3 Ncm)	●	●	○
Kit Piezosteril 6 scaler	○	○	○
Kit Piezolith 6 electric scaler with fibre optics	○	○	○
Kit Surgison 2 surgical ultrasonic	○	○	○
LAEC (Electronic Apex Locator)	○	○	○
T-LED curing light kit	○	○	○
Kit for instrument lever stops	○	-	-
Kit 3-way stainless steel syringe	-	-	●
Kit 6-way stainless steel syringe	●	●	○
Kit 6-way stainless steel syringe with fibre optics	○	○	○
Transthoracic tray holder table	-	●	-
Kit 6th instrument (curing light or camera handpiece)	○	○	-
<b>Assistant's module</b>			
T-LED curing light kit	○	○	○
Kit 3-way stainless steel syringe	○	○	○
Kit 6-way stainless steel syringe	○	○	○
Removable and disinfectable suction tubes	●	●	●
Autoclavable suction cannulae	●	●	●
Assistant's module with control panel complete with control switch for chair, operating lamp mounted on self-balanced arm	●	●	●
Tray holder table on assistant's module	○	○	○
<b>Operating lamp</b>			
Venus Plus lamp	●	●	●
Venus LED lamp	○	○	○
<b>Unit body</b>			
Swivel and removable bowl - Electro-mechanical-motion	●	●	●
Cup filler water heater	○	○	○
Instrument spray heating	○	○	○
Quick coupling for air/water supply for external device	○	○	○
Multimedia cables and PC connections	●	●	○
Tray holder table in place of bowl	○	○	○
<b>Patient chair</b>			
Headrest with double articulation	●	●	●
Pneumatic headrest with 3-axis movement	○	○	○
Multifunction Foot Control with joystick	○	○	○
Wired Pressure-operated Foot Control with joystick and spray on/off kit	○	○	○
Wireless Pressure-operated Foot Control with joystick and spray on/off kit	○	○	○
Power Pedal Foot Control	○	○	○
Wired Lateral slide Foot Control	●	●	●
Wireless Lateral slide Foot Control	○	○	○
Surgical padding	○	○	○
Upholstery without extensible footrest base	○	●	●
Left armrest	○	○	○
Right armrest	○	○	○

● = supplied as standard ○ = Optional - = Not available



Colour range

- |                        |                       |                        |
|------------------------|-----------------------|------------------------|
| 102 Atlantic blue      | 115 Scottish salmon   | 197 Caribbean green    |
| 113 Pacific blue       | 132 Blueberry violet  | 198 Atlantic blue      |
| 106 Mediterranean blue | 134 Japanese wisteria | 196 Mediterranean blue |
| 136 Indian blue        | 135 Venetian red      | 195 Scottish salmon    |
| 101 Caribbean green    | 130 Graphite black    | 199 Anthracite grey    |
| 123 Polynesian green   | 121 Anthracite grey   | 193 Polynesian green   |
| 103 Nevada yellow      | 137 Satin silver      | 194 Venetian red       |
|                        |                       | 192 Blueberry violet   |