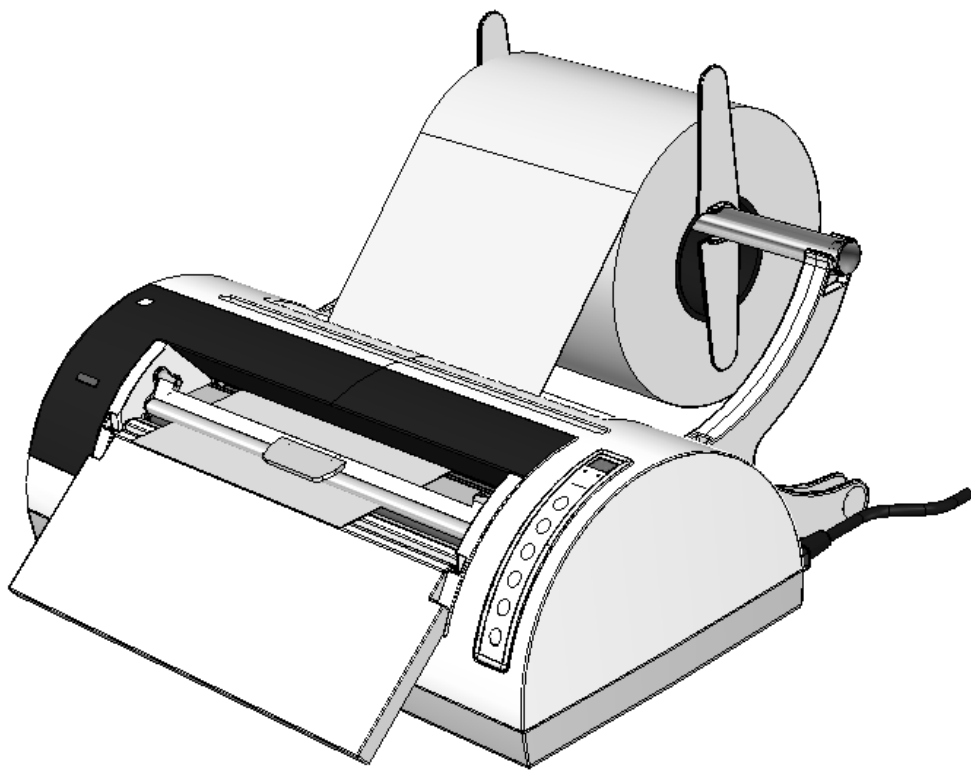


THERMOSEALER

millseal+
evo



OPERATING MANUAL

REVISIONS

The following table lists the subsequent editions/revisions of the manual.
The "Description" field briefly describes the topic of the last revision.

Code	Rev.	Date	Description
97050573	3	12-2017	Text adaptation

CONTENTS

ENGLISH (TRANSLATION FROM THE ORIGINAL IN ITALIAN)





1. INTRODUCTION.....	3
1.1. APPLICABLE EUROPEAN DIRECTIVES	3
1.2. INTENDED USE.....	3
1.3. PURPOSE OF THE MANUAL.....	4
1.4. GENERAL WARNINGS.....	4
2. CONTENTS OF THE PACKAGING.....	5
2.1. DIMENSIONS AND WEIGHT.....	5
2.2. DESCRIPTION OF THE CONTENTS.....	5
3. PRODUCT PRESENTATION.....	6
3.1. MAIN PERFORMANCE CHARACTERISTICS	6
3.2. FUNCTIONS AND DIMENSIONS	7
4. INSTALLATION.....	8
4.1. GENERAL PRECAUTIONS	8
4.2. ELECTRICAL CONNECTION	8
4.3. PRODUCT PREPARATION	8
4.4. FITTING THE PAPER ROLL.....	12
4.5. BAG CONTAINER ASSEMBLY	13
5. MANUAL MODE.....	14
5.1. PREPARATION (SAME AS FOR AUTOMATIC OPERATION MODE).....	14
5.2. INSERTING THE PAPER.....	14
5.3. SEALING ONE END AND CUTTING.....	15
5.4. RESUMING AND FINISHING THE BAG (SAME AS FOR AUTOMATIC OPERATION MODE)	16
6. AUTOMATIC MODE.....	16
6.1. MEMORY SETTING.....	16
6.2. RECALLING FROM MEMORY	17
7. PREPARING THE MATERIAL	18
7.1. HANDLING THE MATERIAL	18
7.2. CLEANING THE INSTRUMENTS.....	18
7.3. PACKING AND POSITIONING THE LOAD	18
APPENDIX A - TECHNICAL FEATURES.....	19
SUMMARY TABLE	19
SAFETY DEVICES.....	19
APPENDIX B - MAINTENANCE.....	20
GENERAL	20
CLEANING.....	20
REPLACING THE CUTTING BLADE	20
REPLACING THE SEALING COUNTER-ELEMENT	20
REPLACING THE FUSES	20
DISPOSAL AT THE END OF LIFE	20
APPENDIX C - ERROR CODES.....	21
APPENDIX D - TROUBLESHOOTING	22

1. INTRODUCTION





Dear Customer,

thank you for choosing this product. We hope it will perform to your full satisfaction. This manual describes all the procedures for proper installation and use of the machine. Should you have any questions, please do not hesitate to contact us. We would also welcome any suggestions you may have to improve our product or service.

Note, warning and hazard symbols used in this manual.

	NOTE THIS SYMBOL INDICATES THAT ATTENTION NEEDS TO BE PAID TO THE INSTALLATION, USE AND MAINTENANCE INSTRUCTIONS.
	WARNING THIS SYMBOL INDICATES A POTENTIAL HAZARD TO PROPERTY. OPERATE ACCORDING TO THE PROCEDURES INDICATED IN THE MANUAL IN ORDER TO PREVENT POSSIBLE DAMAGE TO MATERIALS, EQUIPMENT AND/OR PROPERTY.
	HAZARD THIS SYMBOL INDICATES A POTENTIAL HAZARD TO PEOPLE. OPERATE ACCORDING TO THE PROCEDURES INDICATED IN THE MANUAL IN ORDER TO PREVENT POSSIBLE INJURY TO THE USER AND/OR THIRD PARTIES.
	HAZARD THIS SYMBOL INDICATES A POTENTIAL HAZARD BECAUSE OF HIGH TEMPERATURE.

Symbols on the machine

	This symbol indicates a potential hazard because of high temperature.
	Machine compliant to applicable directives.
	Waste disposal in accordance with Directive 2012/19/UE.
	Consult the user manual



1.1. APPLICABLE EUROPEAN DIRECTIVES

The product described in this manual has been constructed to the highest safety standards and does not pose any hazard for the operator if used according to the instructions. The product complies with the following applicable European Directives:


- 2014/35/CE**
- 2014/30/CE**
- 2006/42/CE**
- 2011/65/UE (Rohs II)**

1.2. INTENDED USE

The machine is intended for professional use and must only to be used for the purpose for which it was designed, that is, heat sealing and cutting of rolls of paper/polypropylene laminate for sterilization.

	NOTE THE MACHINE MAY NOT BE USED WITH ROLLS OF MATERIALS OTHER THAN THOSE INDICATED ABOVE.
	WARNING USE OF THE MACHINE IS STRICTLY RESERVED FOR QUALIFIED PERSONNEL. IT MAY NOT BE USED OR HANDLED BY INEXPERT AND/OR UNAUTHORISED PERSONS FOR ANY REASON WHATSOEVER.

1.3. PURPOSE OF THE MANUAL

	NOTE
	THE INFORMATION CONTAINED IN THIS MANUAL IS SUBJECT TO CHANGE WITHOUT PRIOR NOTICE.
	THE MANUFACTURER IS NOT RESPONSIBLE FOR DIRECT, INDIRECT, ACCIDENTAL OR CONSEQUENTIAL DAMAGES OR ANY OTHER DAMAGES RELATING TO THE PROVISION/ USE OF THIS INFORMATION.
	NO PART OF THIS DOCUMENT MAY BE REPRODUCED, ADAPTED OR TRANSLATED IN ANY FORM OR BY ANY MEANS WITHOUT THE PRIOR WRITTEN PERMISSION OF THE MANUFACTURER.
	FOR CORRECT INTERPRETATION OF THE INSTRUCTIONS CONTAINED IN THIS MANUAL, THE ITALIAN VERSION SHALL BE VALID AS ORIGINAL TEXT.

The purpose of this manual is to provide instructions for:


- General knowledge of the product;
- Proper installation;
- Safe and efficient use;
- Treatment of the instruments and/or materials to be sterilized.

The appendix contains:

- The technical characteristics of the product;
- The maintenance operations;
- Analysis of the problems and their resolution;
- Other documentation.

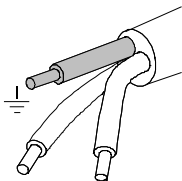
1.4. GENERAL WARNINGS

The product must always be used according to the procedures described in this manual and never for purposes other than those specified herein.

	WARNING
	THE USER IS RESPONSIBLE FOR FULFILLING THE LEGAL OBLIGATIONS RELATING TO INSTALLATION AND USE OF THE PRODUCT. IF THE PRODUCT IS IMPROPERLY INSTALLED, USED OR MAINTAINED, THE MANUFACTURER SHALL NOT BE HELD RESPONSIBLE FOR ANY FAILURE, MALFUNCTION, PERSONAL OR PROPERTY DAMAGE.


In order to prevent hazardous situations with possible personal or property damage, please observe the precautions given in this manual; in particular:

- **only** use the recommended cleaning products;
- **do not** pour water or other liquids or substances onto the machine;
- **do not** use the machine in the presence of explosive gases or vapours;



	HAZARD
	BEFORE CARRYING OUT ANY MAINTENANCE OPERATION, ALWAYS DISCONNECT THE POWER CABLE PLUG FROM THE POWER SOCKET.

- ensure that the electric system is **earthed** in compliance with the laws and/or regulations in force;
- **do not** remove any label or plate; if necessary, ask for new ones;
- only **use genuine spare parts.**

	WARNING
	FAILURE TO OBSERVE THE ABOVE INSTRUCTIONS SHALL RELIEVE THE MANUFACTURER OF ANY AND ALL RESPONSIBILITY.

	NOTE
	UPON RECEIPT, CHECK THAT THE PACKAGING IS SEALED AND INTACT.

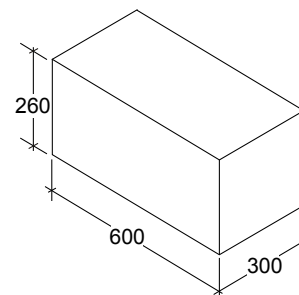
2. CONTENTS OF THE PACKAGING


2.1. DIMENSIONS AND WEIGHT


After opening the packaging, check that:

- The contents match the order specifications (see the delivery document)
- There is no evident damage.

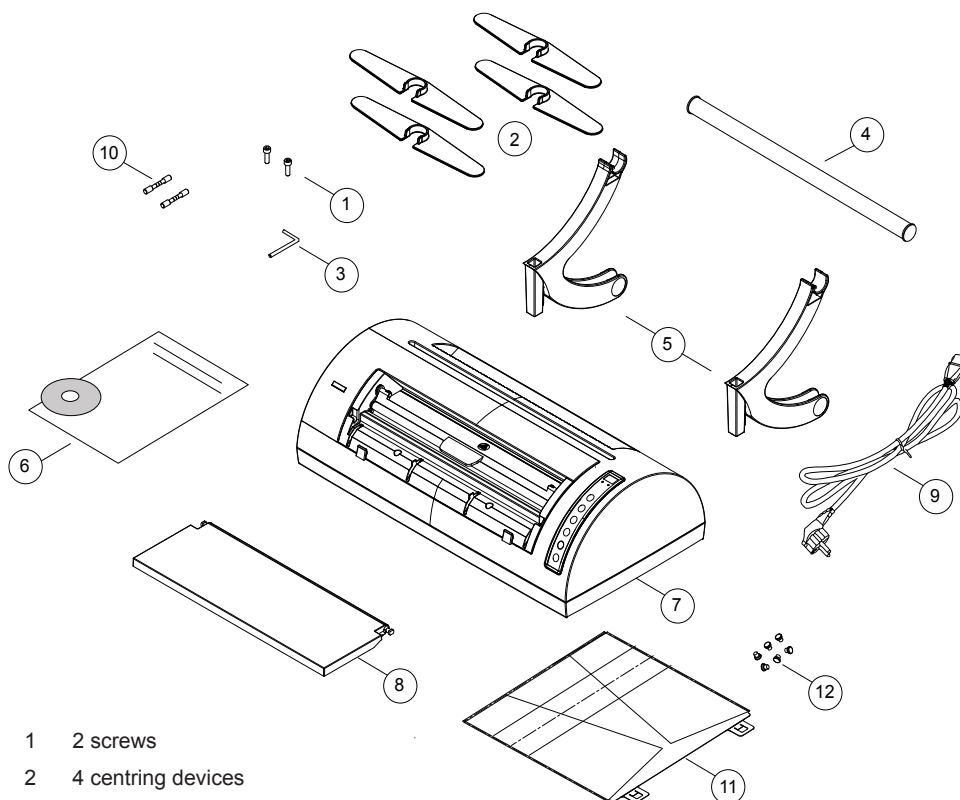
Dimensions and weight	Millseal+ evo
Height	260 mm
Width	600 mm
Depth	300 mm
Total weight	8.5 kg




NOTE
 IF THE PRODUCT DELIVERED IS INCORRECT OR PARTS ARE MISSING OR DAMAGED IN ANY WAY, IMMEDIATELY INFORM THE DEALER AND THE COURIER THAT MADE THE DELIVERY PROVIDING ALL RELATED DETAILS.

NOTE
 KEEP THE ORIGINAL PACKAGING AND USE IT EACH TIME THE APPLIANCE IS TRANSPORTED. USING DIFFERENT PACKAGING MIGHT CAUSE DAMAGE TO THE PRODUCT DURING TRANSPORT.

2.2. DESCRIPTION OF THE CONTENTS



- 1 2 screws
- 2 4 centring devices
- 3 Allen wrench
- 4 Paper roll tube
- 5 2 roll supports
- 6 Operator documentation
- 7 Heat sealing machine
- 8 Support tray
- 9 Power cable
- 10 2 fuses
- 11 Bag container (see paragraph 4.5)
- 12 6 rivets for bag container

NOTE
 THE WARRANTY CERTIFICATE MUST BE FILED AT THE CUSTOMER TOGETHER WITH THE PURCHASE INVOICE OF THE PRODUCT.

3. PRODUCT PRESENTATION

3.1. MAIN PERFORMANCE CHARACTERISTICS

Millseal+evo is an innovative automatic heat sealing machine that allows you to seal large volumes of bags cut to size with a simple command.

In a few easy steps this revolutionary product allows you to set the length and number of bags, start the automatic procedure without an operator, and finally collect the pre-sealed bags in the large removable container provided, ready for subsequent use.

These performance features, together with the elegant and compact design make **Millseal+evo** a must-have partner for all professionals in the healthcare field.

Millseal+ evo is an electronically-controlled heat sealing machine that produces a sealing strip of 12 mm, suitable to withstand the sterilization processes of modern autoclaves that work with fractionated pre-vacuum, and ensures package sterility over time.

The automatic temperature adjustment allows effective heating control in the sealing area, providing high and constant performance.

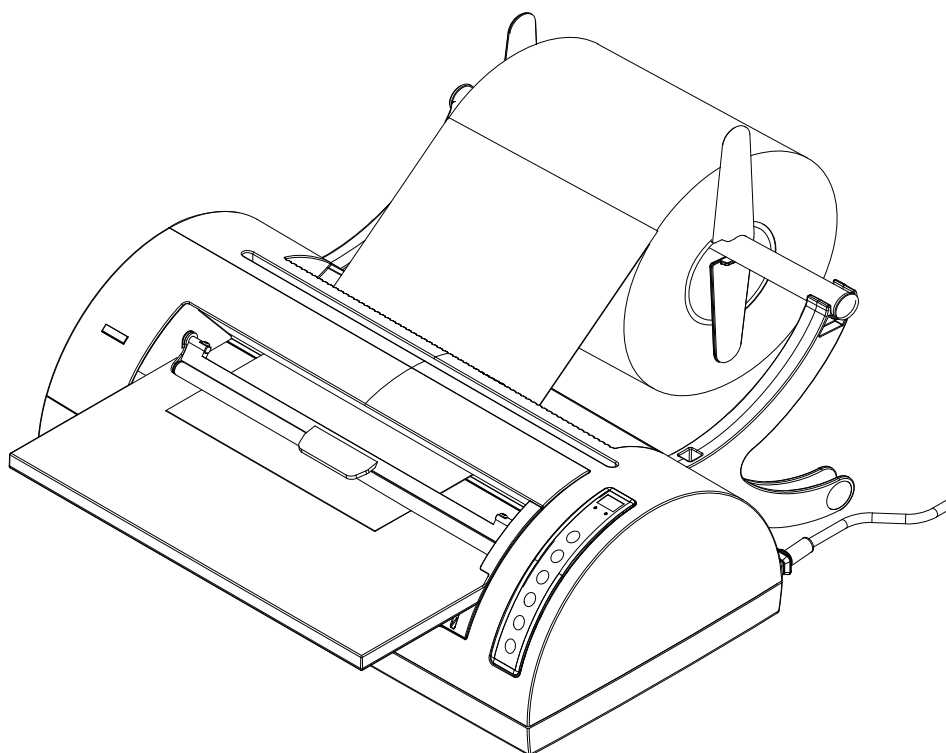
The solid structure in plastic and aluminium, together with the ergonomic and essential shape offer a high level of hygiene, reduced weight and dimensions and excellent stability during use. All this with the aim of providing a product suited to the daily needs in the medical field.



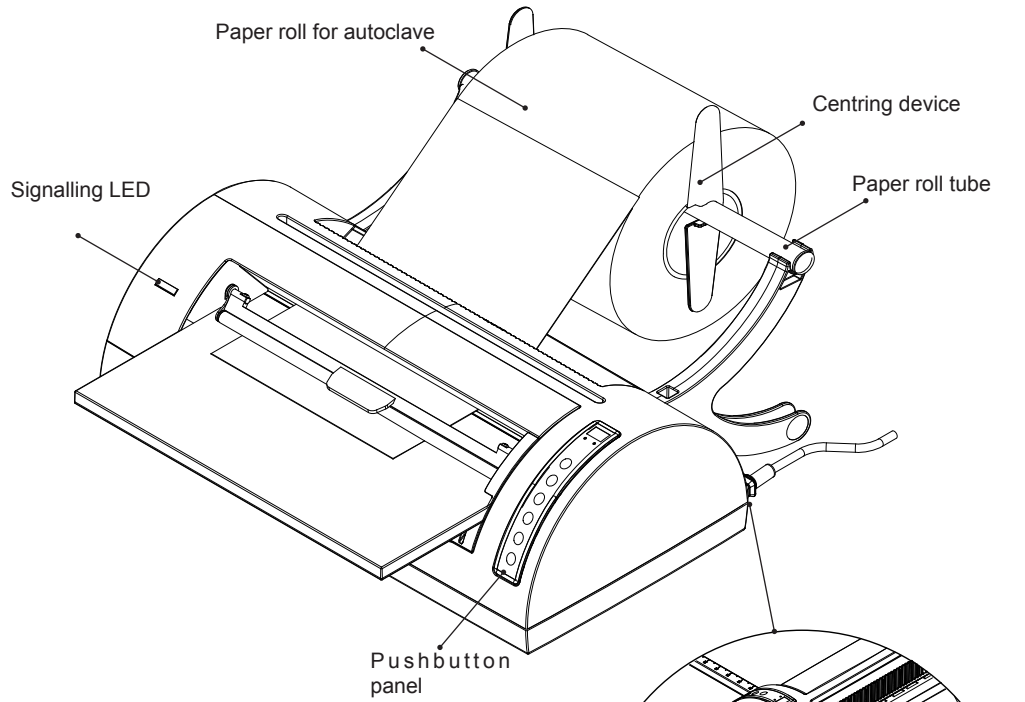
NOTE









FOR THE DESCRIPTION OF THE SAFETY DEVICES, REFER TO THE APPENDIX (TECHNICAL CHARACTERISTICS).

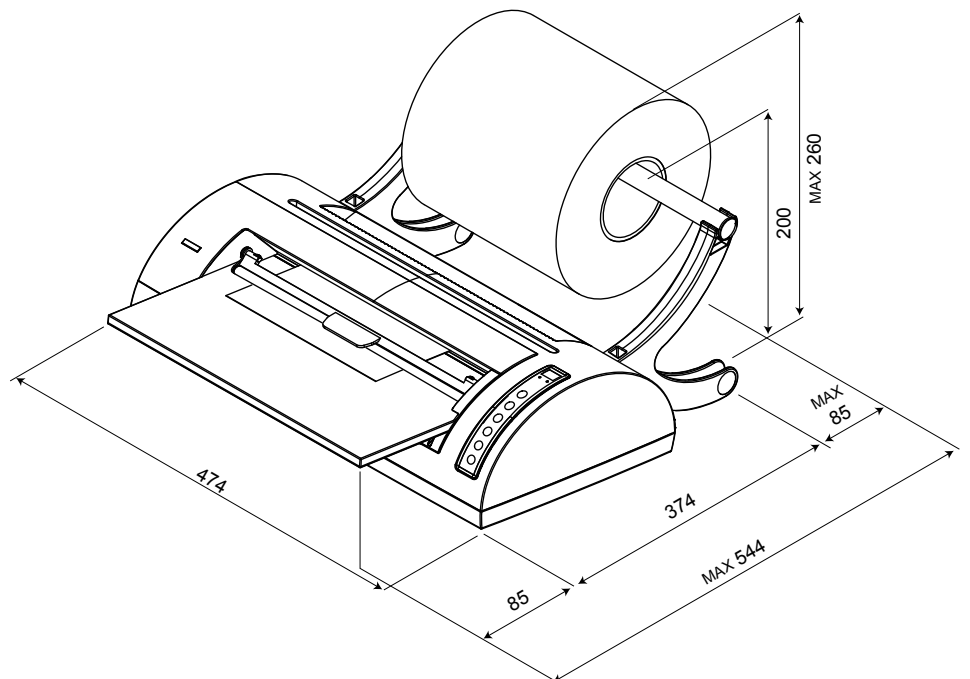
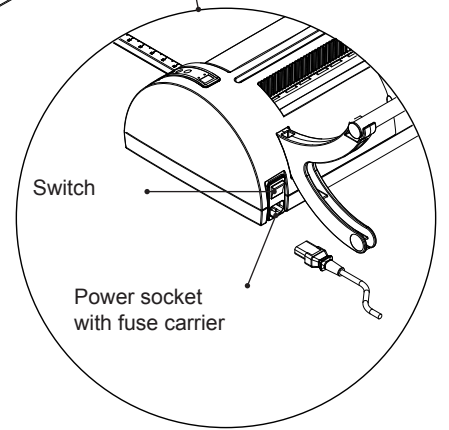
Proper installation is the first and essential operation to be carried out to ensure correct operation of the heat sealing machine. This will also help prevent malfunctions or damage to the machine.



3.2. FUNCTIONS AND DIMENSIONS





-  Display
-  Memory setting
-  Paper forward / Value up
-  Paper backward / Value down
-  Sealing and cutting
-  Sealing
-  Programme 1
-  Programme 2



4. INSTALLATION

Please **scrupulously** observe the warnings given further on in this section.

	NOTE
SHOULD YOU HAVE ANY DOUBTS OR REQUIRE FURTHER INFORMATION, PLEASE DO NOT HESITATE TO CONTACT OUR TECHNICAL SERVICE.	

	WARNING
THE ELECTRIC SYSTEM MUST BE EARTHED.	


4.1. GENERAL PRECAUTIONS

- Install the heat sealing machine on a flat surface leaving an adequate space for the handling operations and for sufficient ventilation.
- Check that the support tray is sufficiently robust to support the weight of the machine and of the roll (16 kg max.);
- Do not install the machine near sinks in order to prevent contact with water or liquids which may cause short-circuits or potentially hazardous situations for the operator;
- Do not install in humid or poorly ventilated environments;
- Do not install in environments where there are flammable and/or explosive gases or vapours;
- Install the machine in such a way that the power cable is not kinked or squeezed along its path up to the power socket.

4.2. ELECTRICAL CONNECTION

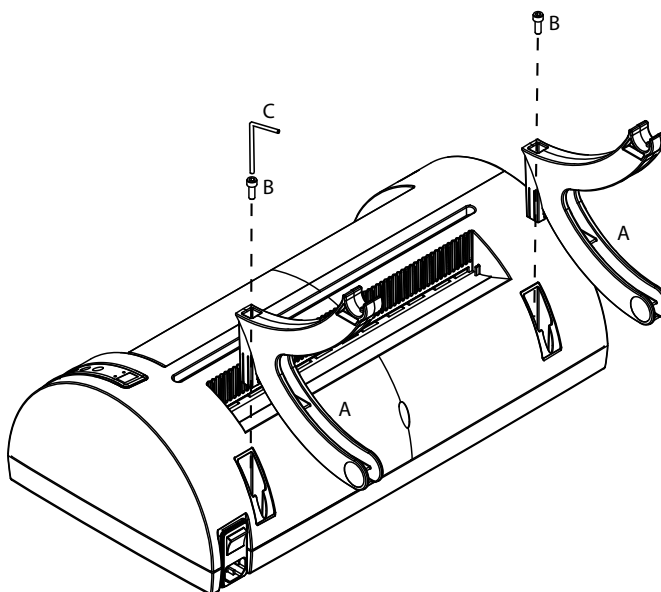
The machine must be connected to an earthed mains socket of adequate capacity for machine power absorption, in accordance with the regulations in force.
The socket must be appropriately protected upstream by an electric panel equipped with a differential magnetothermal switch.

Connect the power cable provided to the power socket on the rear of the machine.

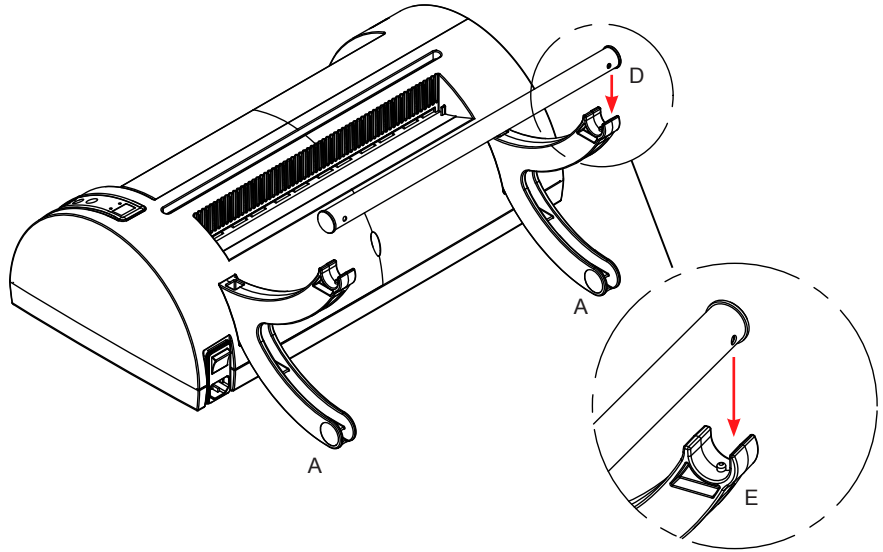
	NOTE
EXCLUSIVELY USE THE POWER CABLE PROVIDED WITH THE MACHINE. THE USER IS RESPONSIBLE FOR PLUG REPLACEMENT IF NECESSARY.	
CONNECT THE POWER CABLE DIRECTLY TO THE MAINS SOCKET. DO NOT USE EXTENSIONS, ADAPTERS OR OTHER ACCESSORIES.	

4.3. PRODUCT PREPARATION

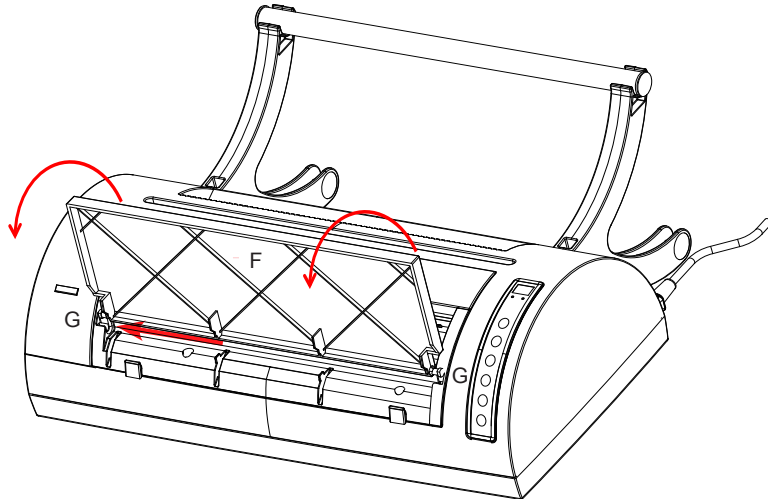
1. Carefully take the material out of the package.
2. Fit the roll supports (A) in their housings.
Tighten the screws (B) using the Allen wrench (C) provided.



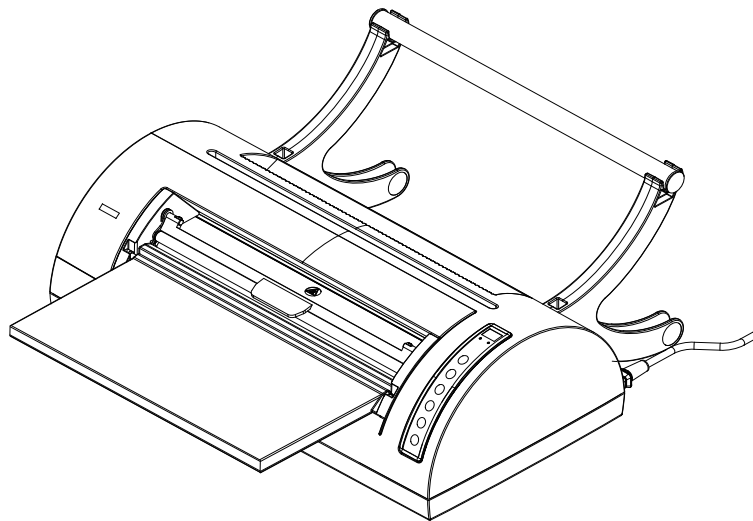
3. Place the paper roll tube (D) on the supports (A) checking that the pins (E) in the supports (A) slide into place in the holes at the ends of the tube.



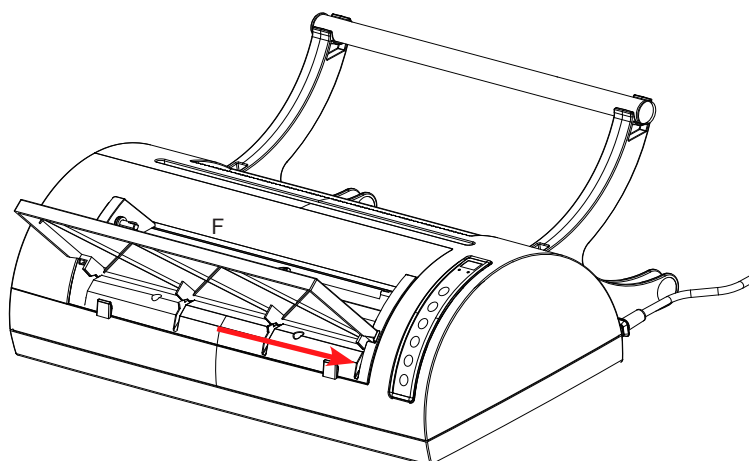
- 4a. Fit the support tray (F), holding it in vertical position, into the slots (G) and push it to the left (as indicated by the arrow). Turn the tray downwards until it is in the support position.



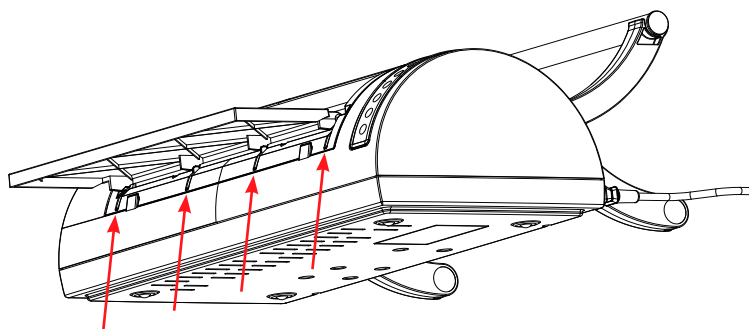
Horizontal tray position: manual bag production and finishing.



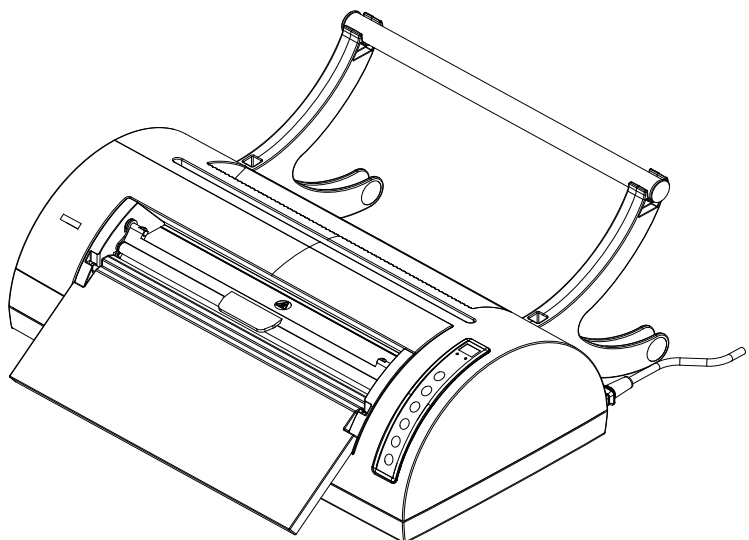
4B. Raise the tray (F) by about 45° and move it fully to the right (as indicated by the arrow).



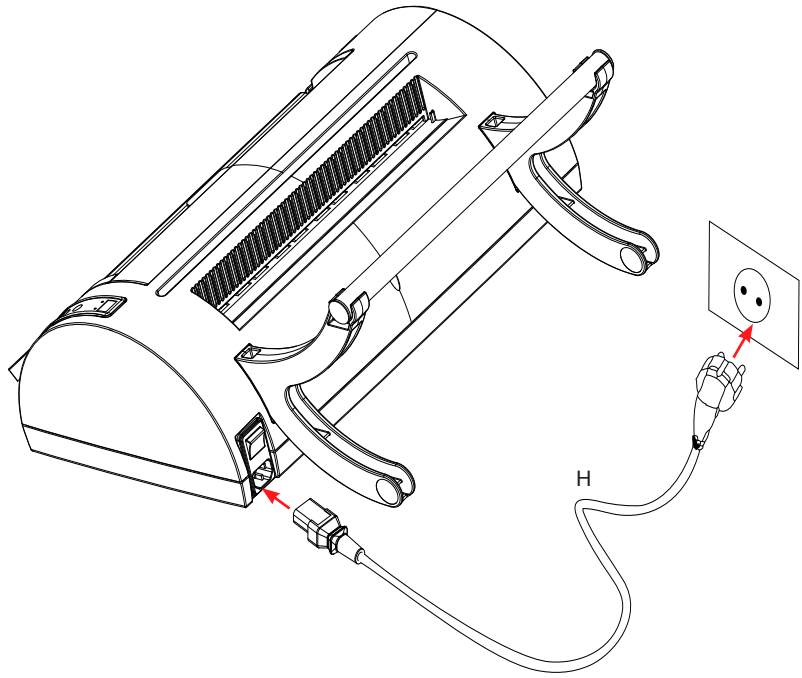
Lower the tray so that the tabs indicated in the figure slide into the slots, and move it with your hands following the slots (see figure).



Inclined tray position: automatic bag production.

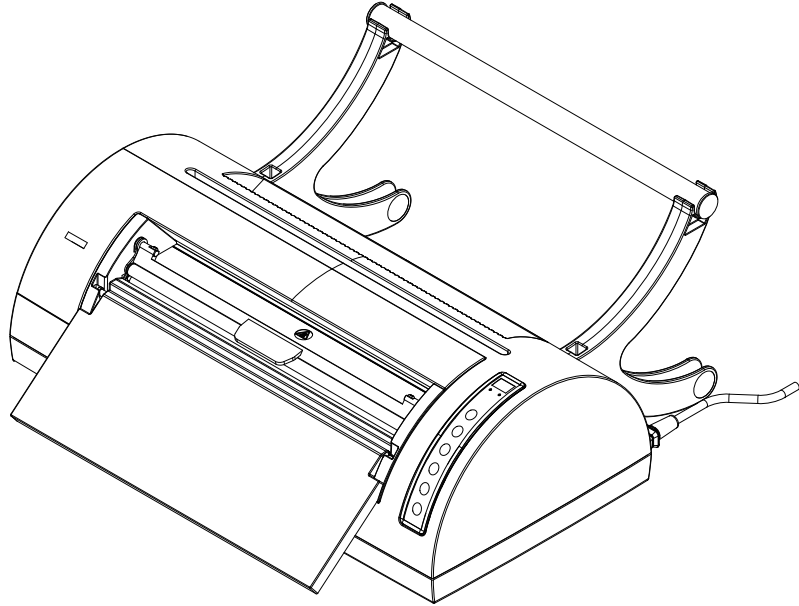


5. Connect the power cable (H).



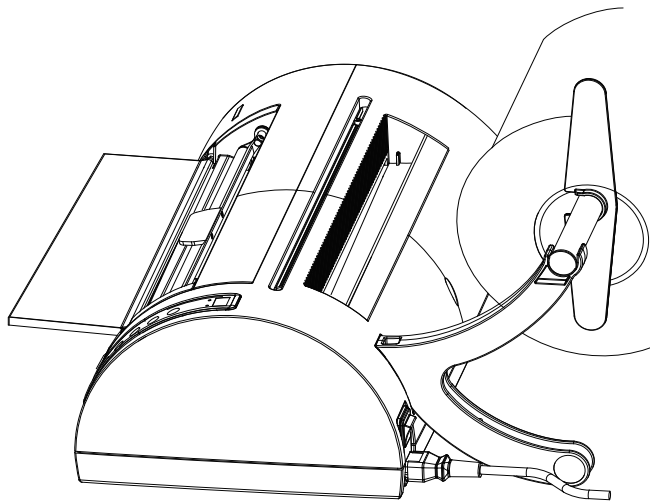
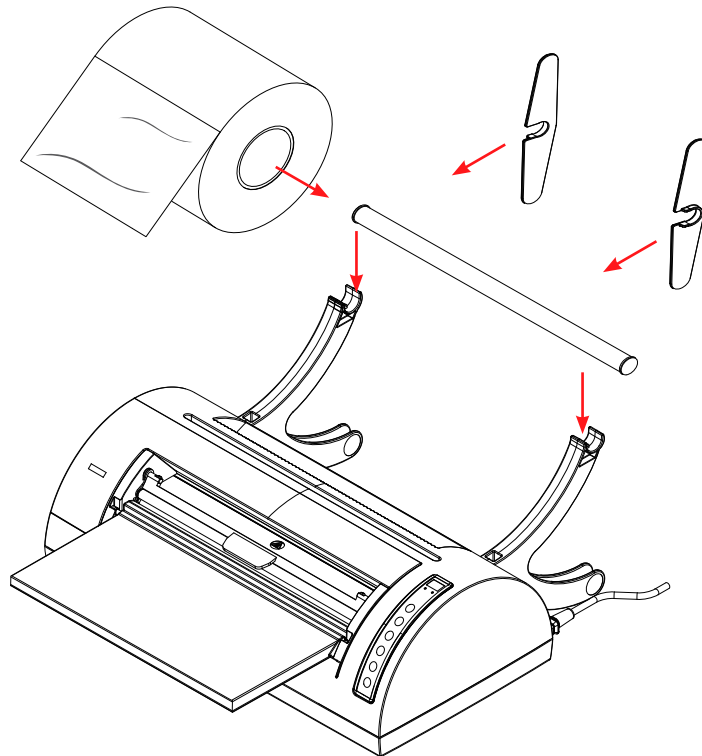
NOTE
POSITION THE MACHINE IN SUCH A WAY THAT THE ENDS OF THE CABLE ARE EASILY ACCESSIBLE.

6. The heat sealing machine is now ready for use.



4.4. FITTING THE PAPER ROLL

- Fit the paper roll onto the paper roll tube;
- Place the tube with the paper roll on the housings in the supports (as described in the paragraph above), oriented in such a way that the paper strip unwinds from the top and the polypropylene film is visible;
- Finally, fit the centring devices so that they sit against the paper roll.

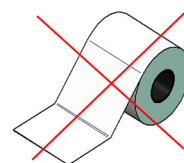
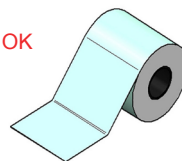


NOTE

USE ONLY ROLLS OF LAMINATE ROLLED UP WITH THE PLASTIC PART ON THE OUTSIDE (VISIBLE) - see the figure below.

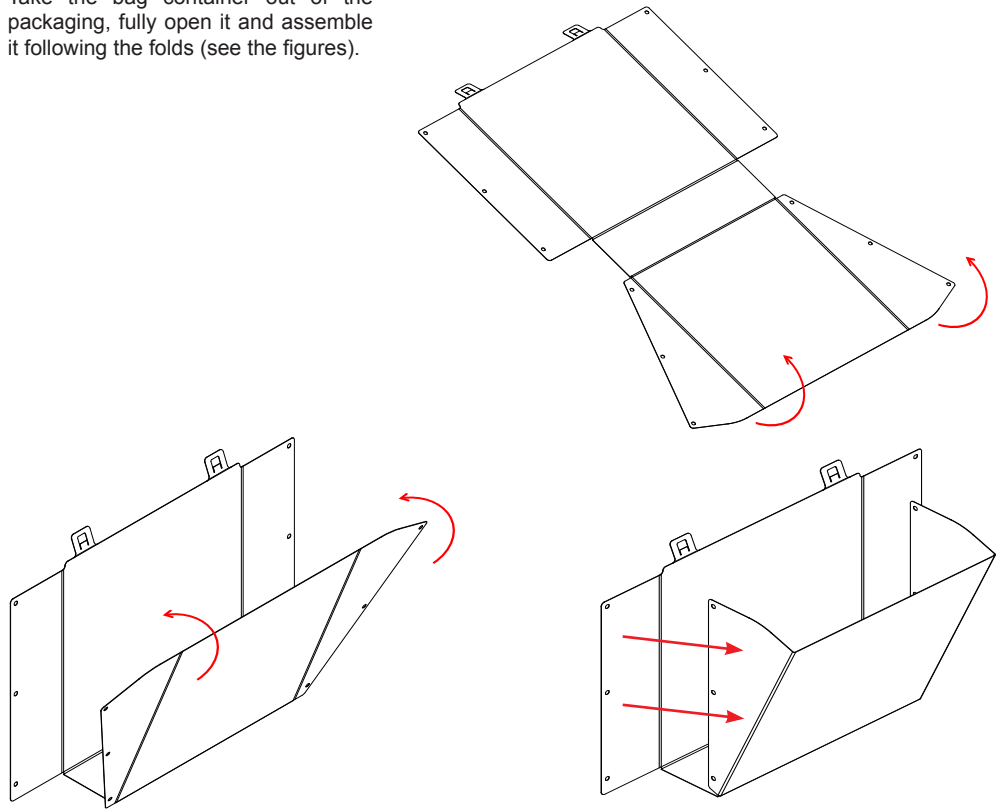


OK

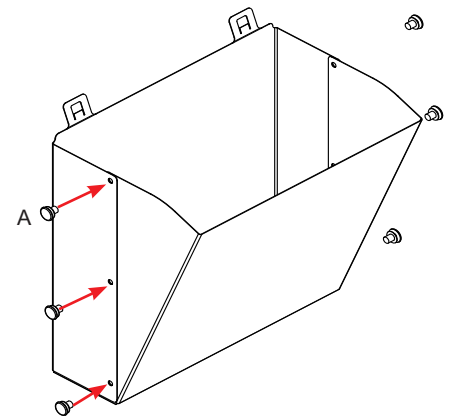


4.5. BAG CONTAINER ASSEMBLY

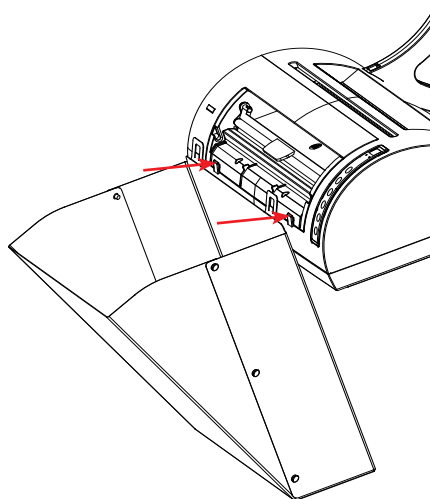
Take the bag container out of the packaging, fully open it and assemble it following the folds (see the figures).



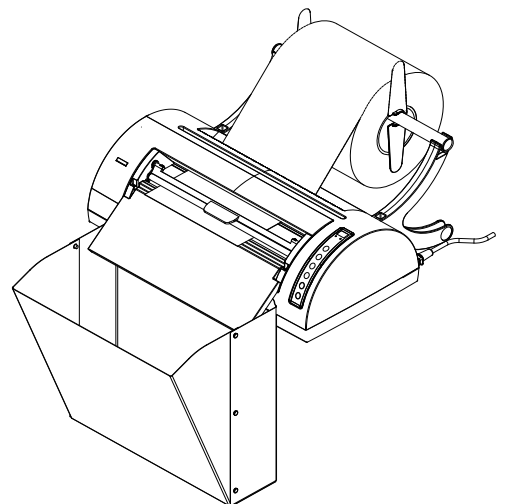
Use the 6 rivets (A) provided to complete assembly of the bag container (see figure).



Fasten the bag container to the heat sealing machine as shown in the figure.



Finally, refit the tray in inclined position.

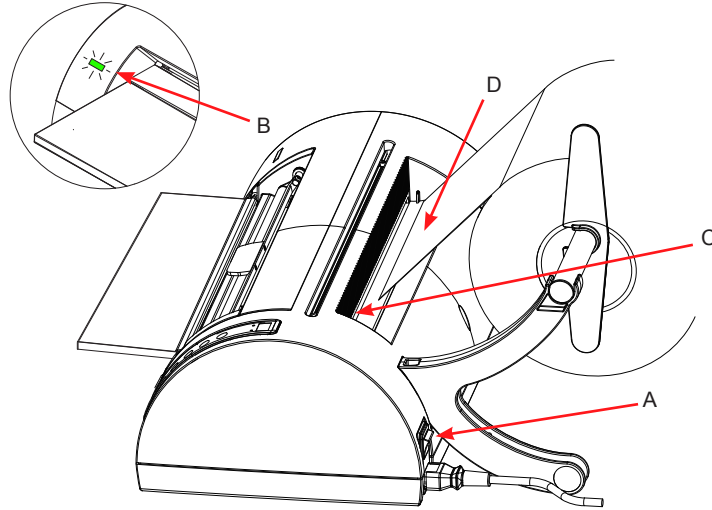


5. MANUAL MODE




5.1. PREPARATION (SAME AS FOR AUTOMATIC OPERATION MODE)

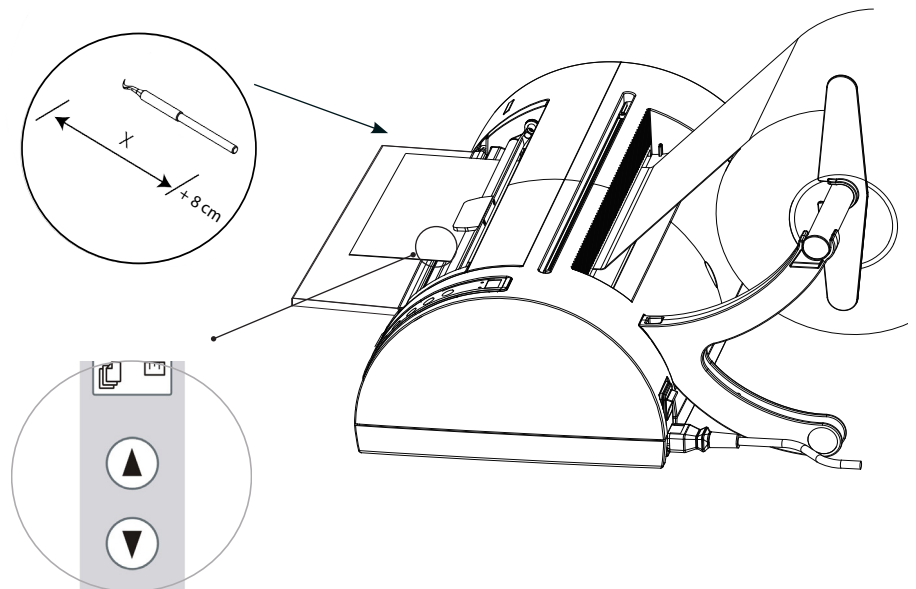
For manual bag production, you need to arrange the tray in horizontal position (see paragraph 4a).


- Turn on the machine with the switch (A) found on the rear of the machine.
- The front green LED (B) flashes.
- The heating element is powered and the temperature gradually increases. When it reaches the optimal value for proper sealing, the front green LED stays on permanently emitting an acoustic signal.




5.2. INSERTING THE PAPER


- The pushbutton panel will not be operational until the machine has reached the operating temperature.
- Feed the edge of the paper (D) into the rear slot (C) taking care to rest it on the rubber-coated roller.
- Holding the edge of the paper (D) in place, feed the paper forward by pressing the button  (value up).
- Using the buttons  (value up) and  (value down), pull out the paper for the desired length.
- It is advisable to prepare a bag that fits the length of the instrument plus 8 cm to allow proper sealing of the edge.

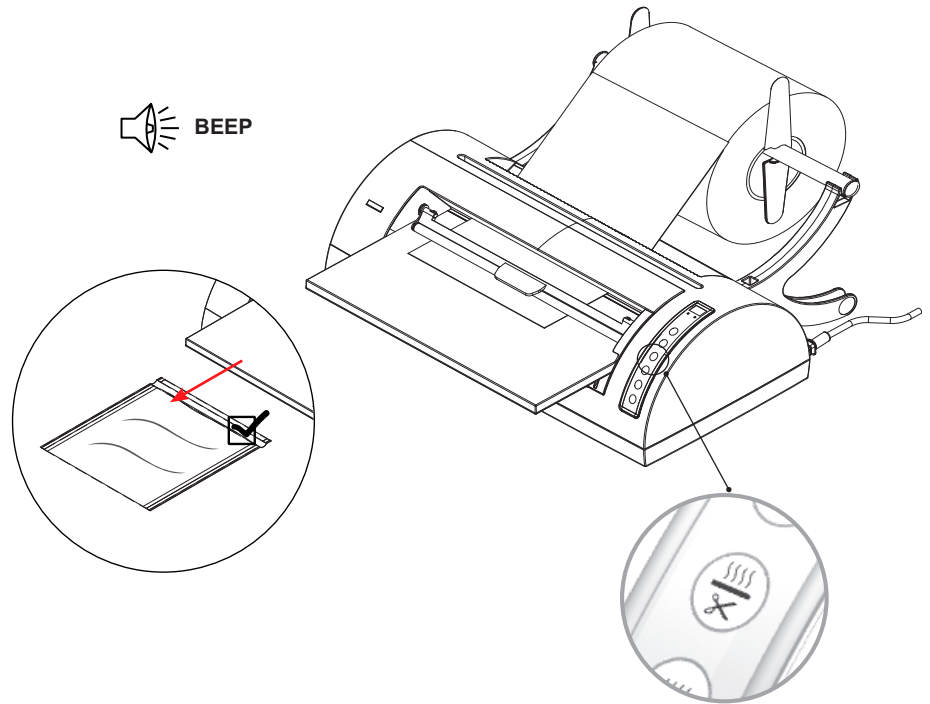


	NOTE MANUAL MODE: YOU CANNOT MAKE BAGS SHORTER THAN 7 CM. AUTOMATIC MODE: YOU CANNOT MAKE BAGS SHORTER THAN 10 CM.
---	---

	NOTE THE MAXIMUM LENGTH OF THE BAG IS 50 CM.
---	--

5.3. SEALING ONE END AND CUTTING

- Pull out the paper for the desired length.
- Press the button  (sealing and cutting) to seal and cut.
- The green LED flashes for the time required to seal and cut the bag. When the operation is complete, the front LED stops flashing and an acoustic signal indicates the end of the process. The bag is now sealed at one end.




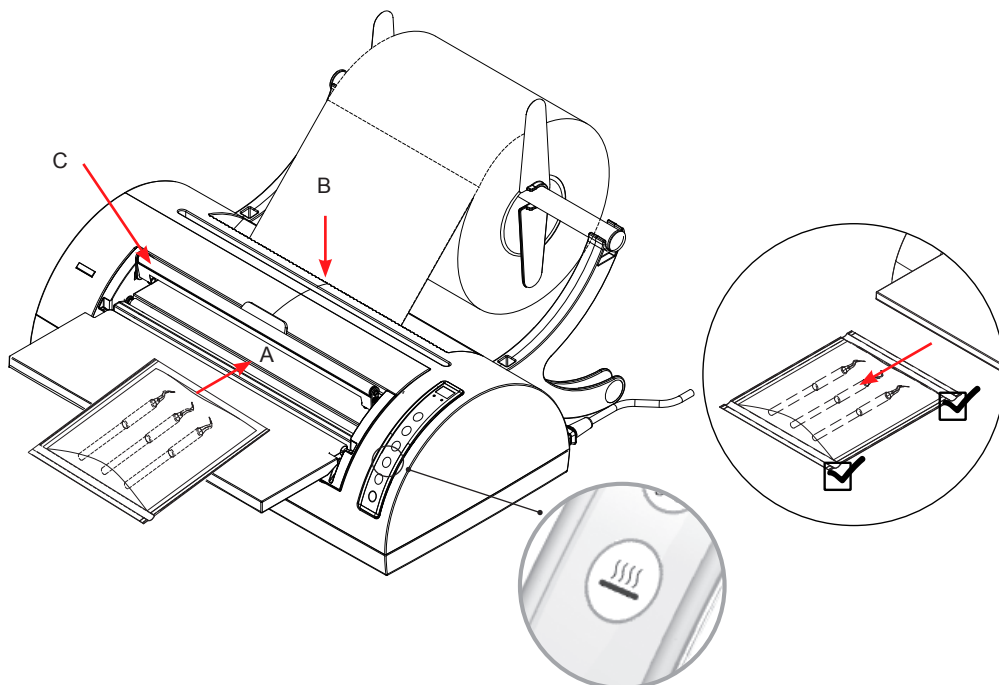
HAZARD
DO NOT PLACE YOUR FINGERS IN THE SEALING AREA WHEN THE MACHINE IS ON AND IMMEDIATELY AFTER TURNING IT OFF.



HAZARD
NEVER PUT YOUR FINGERS IN THE SLOT IN THE CUTTING AREA.

5.4. RESUMING AND FINISHING THE BAG (SAME AS FOR AUTOMATIC OPERATION MODE)

- Raise the arch of the extractor (C).
- Insert the instrument on the open side of the bag observing the warnings given under "Preparing the material" (see Section 7).
- Insert the unsealed end of the bag in the front slot (A) for a few centimetres until the end of the bag is aligned with the upper slot (B).
- press the button  (Sealing) to seal the bag.
- Wait for the acoustic signal and extract the completely sealed bag.





NOTE

IF THE MACHINE IS NOT USED FOR A PERIOD OF 30 MINUTES, IT GOES INTO STANDBY MODE, REDUCING THE HEATING ELEMENT TEMPERATURE. THE STANDBY MODE IS INDICATED BY PERIODIC DOUBLE FLASHING OF THE GREEN LED. TO RESUME OPERATION, PRESS ANY ONE BUTTON AND WAIT UNTIL THE OPERATING TEMPERATURE IS REACHED, WHICH IS INDICATED BY THE PERMANENT ILLUMINATION OF THE LED.



6. AUTOMATIC MODE

6.1. MEMORY SETTING

For automatic bag production, you need to attach the previously assembled bag container to the heat sealing machine (see paragraph 4.5) and then arrange the tray in an inclined position (see paragraph 4b).


- The machine is equipped with two memory buttons you can use to store two different combinations of bag lengths and quantity.
- Hold down one of the two buttons  or  for 3 seconds until you hear the acoustic signal that indicates the beginning of the memorization process.

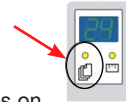


- The paper length adjustment warning light comes on.
- Pull out the paper to the desired length based on the indications displayed, using the buttons  (value up) and  (value down).

NOTE

THE MAXIMUM LENGTH OF THE BAG IS 50 cm

- Confirm the selection pushing the button  (Sealing and cutting).






- The LED indicating that the number of bags has been memorised comes on  Set the number of bags using the buttons  (value up) and  (value down).




- Press the button  (Sealing and cutting) to confirm the selection; the device memorises the number of bags.


	NOTE THE MAXIMUM NUMBER OF BAGS SETTABLE IS 99.
---	---




6.2. RECALLING FROM MEMORY


- Press one of the two buttons  or  depending on which one of the two memories you wish to use; the machine automatically and independently reproduces the memorised program associated with the combination set (number and length of bags).

	NOTE YOU CAN USE 2 ROLLS OF THE SAME WIDTH SIMULTANEOUSLY.
---	--

	NOTE THE MACHINE IS SUPPLIED WITH TWO PRESET VALUES ASSOCIATED WITH THE BUTTONS  AND  .
---	---

	NOTE THE MEMORIES SET BY THE USER REMAIN SET EVEN AFTER THE MACHINE HAS BEEN TURNED OFF.
---	--

	NOTE TO STOP AUTOMATIC MODE BEFORE THE BAGS ARE COMPLETED, PRESS THE BUTTONS  OR  . THE SYSTEM INTERRUPTS OPERATION RESETTING THE NUMBER OF BAGS SET ON THE DISPLAY AND COMPLETES THE LAST BAG BEING PROCESSED. TO STOP ANY AUTOMATIC FUNCTION, JUST PRESS ANY ONE OF THE REMAINING BUTTONS.
---	---

	WARNING DO NOT MOVE YOUR FACE CLOSE TO THE EXTRACTION MECHANISM, AS AUTOMATIC EJECTION OF THE BAGS MIGHT CAUSE INJURY TO THE EYES OR OTHER SENSITIVE PARTS.
---	---

7. PREPARING THE MATERIAL

The sterilization process may be considered effective, reliable and repeatable provided that the instruments and the materials in general are first appropriately treated and then correctly positioned in the sterilization chamber.

These requirements shall be observed in particular when handling bagged items.

It should be stressed that organic residues or deposits of substances used in medical practice are inevitably receptacles for microorganisms and may thwart the steam sterilization process.

Incorrectly arranging the load makes it difficult and sometimes impossible for the steam to circulate on the material and/or to penetrate the cavities with inevitable consequences.

We therefore provide some basic indications regarding these aspects below, leaving it up to the user to decide how best to operate.

7.1. HANDLING THE MATERIAL

In handling and moving contaminated materials, it is advisable to take the following precautions:

- Always wear rubber gloves of adequate thickness.
- Wash your hands with a germicidal detergent with the gloves on.
- Always use a tray to transport the instruments.
- Never transport the instrument holding them in your hands.
- Be careful with any sharp or cutting parts to prevent the risk of infections.
- Separate the items that need not be subjected to sterilization or which are unable to withstand the process.
- After handling, thoroughly wash your hands still with the gloves on.

7.2. CLEANING THE INSTRUMENTS

All the materials and/or instruments to be subjected to sterilization must be thoroughly clean and without any kind of residue (organic and inorganic matter, paper fragments, cotton swabs or gauze, scale, etc.).

Otherwise, the sterilization process might be ineffective and the sterilizer and the instruments irreparably damaged.

For effective cleaning:

- After use, immediately rinse the instruments under a jet of running water.
- Separate the instruments by type of material (carbon steel, stainless steel, brass, aluminium, chromium, etc.) to prevent oxidoreduction phenomena.
- Clean the instrument with an ultrasound device containing a mixture of water and disinfectant solution, carefully following the manufacturer's recommendations.
- Thoroughly rinse and check that they are perfectly clean; if necessary, repeat the washing cycle or clean the instruments by hand.
- Dry them thoroughly.

Before sterilization, consult the instructions provided by the manufacturer of the instrument/material and check for any incompatibility.

Strictly follow the operating procedures of the detergent or disinfectant products and the instructions for use of the instrument washing and automatic lubrication devices.

7.3. PACKING AND POSITIONING THE LOAD

Using paper bags for autoclaves allows optimal sterilization and preservation of the sterility conditions over time.

Follow these guidelines:

- Bag the instruments individually or make sure that they are made of the same material.
- Close the bag using the heat sealing machine.
- Do not use metal stitches, pins or similar that do not guarantee sterility over time.
- Arrange the bags in such a way as to prevent the formation of air pockets that hinder correct steam penetration and removal.
- If possible, arrange the bags vertically using a suitable support.
- Never lay the bags over each other.

APPENDIX A - TECHNICAL FEATURES

SUMMARY TABLE


Device	Heat sealing machine
Model	Millseal+ evo
Manufacturer	CEFLA s.c. Headquarters Via Selice Provinciale 23/A – 40026 Imola (BO) IT
Power supply voltage	220-240 V~
Mains frequency	50-60 Hz
Mains fuses (5 x 20 mm)	T 3.15 A - 250V
Nominal power	150 W
Insulation class	Class I
Installation category (IEC 61010-1)	Cat. II
Operating environment (IEC 61010-1)	Indoors
Ambient operating conditions	Temperature: +15°C TO +35°C
	Relative humidity: 80% (max), without condensate
Outside dimensions (without roll) (L x D x H)	474 x 374 x 200 mm
Net weight	8.5 kg
Sealing type	Continuous cycle at constant temperature
Heating element nominal operating temperature	180°C
Sealing band height	12 mm
Maximum sealing width	300 mm
Sealable material	Paper/polypropylene laminates
Maximum roll diameter	200 mm
Maximum roll width	300 mm
Paper/polypropylene laminate orientation	Polypropylene film facing up

The identification data label is applied at the base of the machine.

SAFETY DEVICES

The heat sealing machine is equipped with the following safety devices. A brief description of these devices and their function is given below:

- **Mains fuses** (see the data in the summary table).
Machine protection against internal electrical faults.
Action: power failure.
- **Finger-trap prevention design.**
Protection against accidentally finger trapping during operation.
- **Automatic Stand-By system.**
When the machine has not been used for 30 minutes, it goes into standby mode, reducing the temperature of the heating element.
The automated device protects against the risk of overheating caused by failing to turn off the machine after use and at the same time saving considerable energy.
- **Protected cutting blade.**
Exclusive design with a cutting blade totally inaccessible from the outside.
- **Paper repositioning system.**

The paper edge is moved back from the sealing area 10 seconds after positioning, if the button  is not pressed. This prevents overheating with consequent paper deformation if you unintentionally leave the machine during the sealing and cutting operation.

APPENDIX B - MAINTENANCE

GENERAL

The machine does not need any particular maintenance; we only recommended that the user regularly clean it.

Always strictly follow the procedures given below.

If replacing parts of the machine, order and use ONLY GENUINE SPARE PARTS.



HAZARD

BEFORE CARRYING OUT ANY MAINTENANCE OPERATION, ALWAYS DISCONNECT THE POWER CABLE PLUG FROM THE POWER SOCKET.



WARNING

BEFORE CARRYING OUT ANY MAINTENANCE OPERATION, MAKE SURE THAT THE MACHINE HAS COOLED DOWN.

CLEANING

Clean the outside of the machine with a soft cotton cloth moistened with water and neutral detergent.



NOTE

- DO NOT USE PRODUCTS CONTAINING ISOPROPYL ALCOHOL (2-PROPANOL, ISOPROPRANOL);
- DO NOT USE PRODUCTS CONTAINING SODIUM HYPOCHLORITE (BLEACH);
- DO NOT USE PRODUCTS CONTAINING PHENOLS.

Thoroughly dry the surfaces and remove any resistant residue.

Always bear the following general warnings in mind:

- Do not clean the machine with direct jets of pressurised or sprayed water. Any infiltration into internal electrical components might irretrievably compromise its functioning.
- Do not use abrasive sponges, metal brushes (or other aggressive materials) or metal cleaning products (both solid and liquid).

REPLACING THE CUTTING BLADE

Regularly, or whenever you notice difficulties in cutting the paper, replace the blade. Contact the Technical Service.

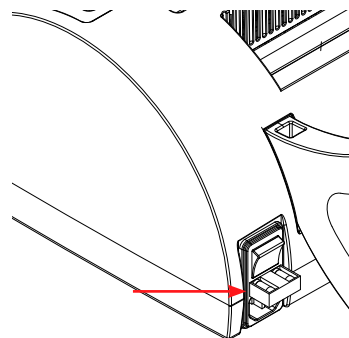
REPLACING THE SEALING COUNTER-ELEMENT

Regularly, or when you notice imperfect sealing, replace the silicone sealing counter-element. Contact the Technical Service.

REPLACING THE FUSES

The fuses are housed in the fuse carrier compartment, above the power cable socket.

- Pull out the power plug.
- Remove the fuse carrier using a screwdriver.
- Replace the fuse with one of the same kind (see Appendix A).



DISPOSAL AT THE END OF LIFE

In accordance with Directive 2012/19/UE, regarding reduced use of dangerous substances in electrical and electronic devices as well as waste disposal, do not dispose of the devices in the household waste but collect them separately. When individually purchasing a new machine of an equivalent type, the machine that has come to the end of its lifetime should be returned to the dealer for disposal. As regards reuse, recycling and other forms of recovery of the above mentioned waste, the manufacturer carries out the functions defined in the individual national legislations.

Appropriate separate waste collection for subsequent machine recycling, treatment and disposal respectful of the environment contributes to preventing possible negative effects on the environment and health and encourages recycling of the materials which make up the machine. The crossed-out bin symbol on the device indicates that the product must be collected separately from other waste at the end of its useful life.




NOTE

ABUSIVE DISPOSAL OF THE PRODUCT IS LIABLE TO FINE AS LAID DOWN IN THE INDIVIDUAL NATIONAL LEGISLATIONS.

APPENDIX C - ERROR CODES

The list of ERROR codes and the relative messages shown on the display are listed in the table below:


CODE	ALARM DESCRIPTION	SUGGESTED SOLUTION
E0	PTC open (at power on) or sealing error (V1.4)	Contact the Technical Service Network
E1	Motor 1 overcurrent error (paper insertion roller)	Check that nothing hinders roller rotation (e.g. paper jammed or wires wound around the roller)
E2	Motor 2 overcurrent error (sealing)	Check that nothing hinders sealing bar closure (e.g. objects inserted in the sealing area).
E3	Motor 3 overcurrent error (paper cutting)	Check that nothing hinders movement of the cutting blade carriage (e.g. jammed paper)
E4	Motor 4 overcurrent error (paper extraction roller)	Check that nothing hinders roller rotation (e.g. paper jammed or wires wound around the roller)
E5	Motor 1 disconnected error (paper insertion roller)	Contact the Technical Service Network
E6	Motor 2 disconnected error (sealing)	Contact the Technical Service Network
E7	Motor 3 disconnected error (paper cutting)	Contact the Technical Service Network
E8	Motor 4 disconnected error (paper extraction roller)	Contact the Technical Service Network
E9	Paper cutting and/or jam error (V1.4)	Check that nothing hinders movement of the cutting blade carriage (e.g. jammed paper)

	NOTE
CONTACT THE TECHNICAL SERVICE NETWORK PROVIDING THE MACHINE MODEL AND SERIAL NUMBER.	
THIS DATA IS INDICATED ON THE FACTORY PLATE ON THE LOWER PART OF THE MACHINE.	

APPENDIX D - TROUBLESHOOTING

If your heat sealing machine does not function properly, check the following before contacting the Technical Service:

PROBLEM	POSSIBLE CAUSE	SUGGESTED SOLUTION
The heat sealing machine does not turn on.	The power plug is not inserted in the socket.	Properly insert the plug.
	No power to the power socket.	Check the cause of the power failure and correct it.
	The magnetothermal and/or differential switches of the system are off.	Set the switches to ON.
	The mains fuses have burned.	Replace the fuses (see Appendix C - Maintenance).
	The LED is not working. Electronic board faulty.	Contact the Technical Service Network.
Insufficient bag sealing..	Insufficient pressure in the sealing area.	Contact the Technical Service Network.
	Silicon rubber profile damaged.	
	The heating element does not reach the operating temperature.	
Bag difficult to cut.	Blade worn.	Contact the Technical Service Network.
Paper jam during operation.	Paper edge wrinkled.	Turn off the machine, manually remove the paper from the rear, check that no scraps of paper have remained in the sealing area and if so remove them, cut the edge of the damaged paper with scissors, restart the machine and re-insert the paper.
Failed paper extraction.	Fault in the feed system.	Contact the Technical Service Network.
	Arch raised.	Lower the arch.

NOTE	
	SHOULD THE PROBLEM PERSIST, CONTACT THE TECHNICAL SERVICE NETWORK INDICATING THE MODEL AND SERIAL NUMBER OF THE HEAT SEALING MACHINE. THIS DATA IS INDICATED ON THE FACTORY PLATE ON THE LOWER PART OF THE MACHINE.

Warning for the operator

WARNING	CAUSE	ACTION
Green flashing LED.	The machine is in the warm-up phase.	Wait for the machine to warm up.
Green LED permanently ON.	The machine is ready for use.	-
The green LED flashes briefly every 5 seconds.	The machine has gone into stand-by after it has not been used for 30 minutes.	Press one of the buttons to restore normal operation.
The red and green LEDs flash simultaneously.	The machine signals a fault in the heating system.	Turn off and restart the machine. If the fault recurs, contact the Technical Service Network.
The red LED flashes + a beep is sounded.	Action aborted.	
	The button is not enabled.	
The red and green LEDs come on alternately.	Electrical problem.	Turn off and restart the machine. If the fault recurs, contact the Technical Service Network.
The red and green LEDs are permanently on simultaneously.	Mechanical problem.	Turn off and restart the machine. If the fault recurs, contact the Technical Service Network.